

## IDEAL 4815



## IDEAL 4850



## Table of Contents

---

<b>Safety precautions</b>	<b>3</b>
<b>Intended use</b>	<b>4</b>
<b>Installation</b>	<b>10</b>
<b>Startup</b>	<b>13</b>
<b>Operation / Operating elements</b>	<b>15</b>
<b>Blade and cutting stick replacement</b>	<b>22</b>
<b>Maintenance and cleaning</b>	<b>31</b>
<b>Annual inspection / Safety test</b>	<b>32</b>
<b>Possible malfunctions</b>	<b>33</b>
<b>Accessories</b>	<b>39</b>
<b>Technical data</b>	<b>40</b>
<b>EC-declaration of conformity</b>	<b>43</b>

## Safety precautions

---



Please read these operating instructions before putting the machine into operation and observe the safety precautions.  
The operating instructions must always be available.

---



Children must not operate the machine!

---



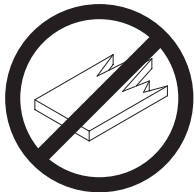
Do not reach beneath the blade!

---



Never leave the blade unattended!  
Do not extract or transport the blade without protection! (See page 25 and 27).  
**⚠ Danger! Risk of injury!**

---



Do not cut hard materials or materials which may splinter!

---

## Safety precautions / Intended use

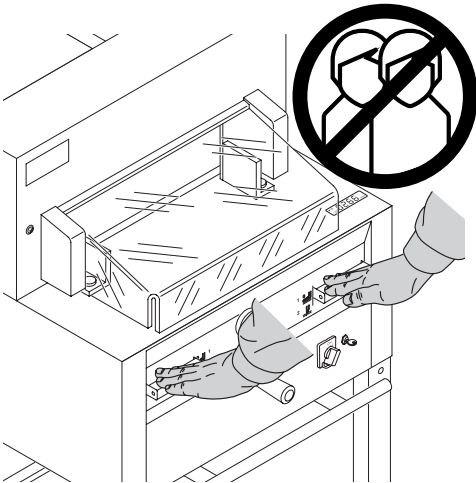
---



Do not use any spray cans with flammable content near to the cutting machine!



Do not use any flammable cleaning agents.



### Intended use

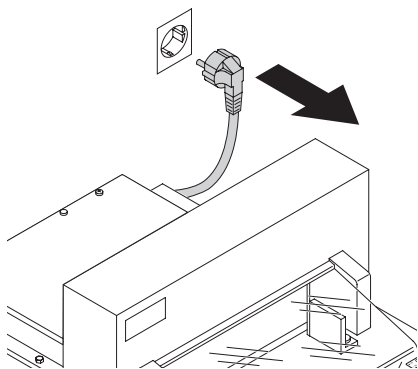
The machine is designed for cutting stacks of paper to a specified size.

This machine is constructed for "one-man operation" only!

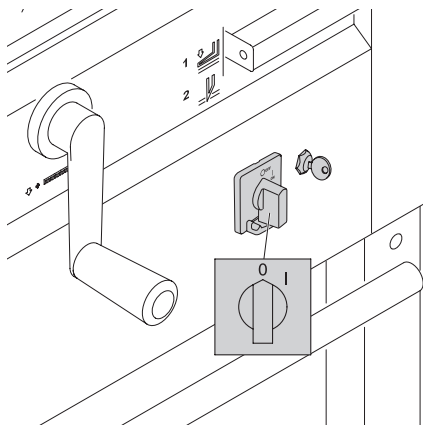
**⚠ Warning!** Clips or similar damage the cutting blade.

## Safety precautions

---



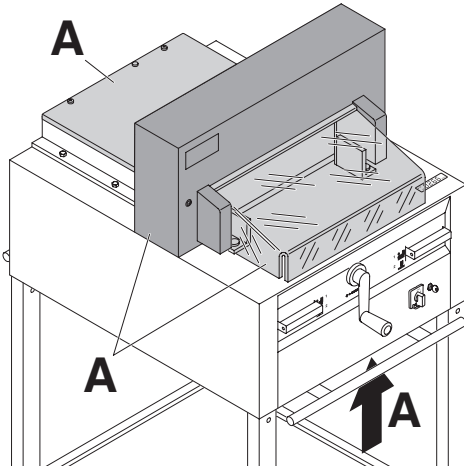
Disconnect from the mains before starting any service work or before removing the panels!



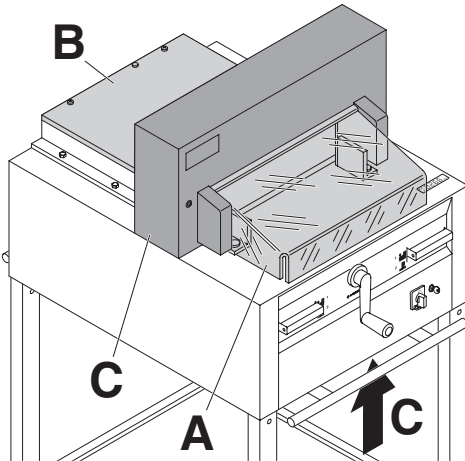
Replacement of blade and cutting stick may be performed only when the main switch is switched off!

## Safety precautions

---



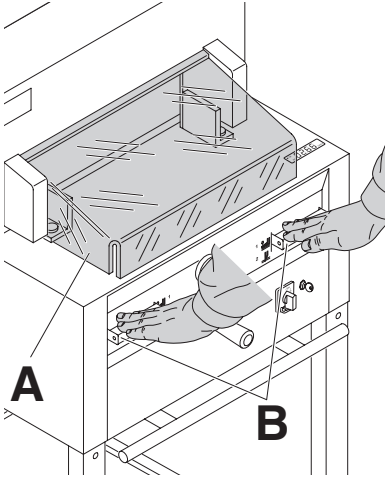
All components which could endanger the operator are covered by a guard!



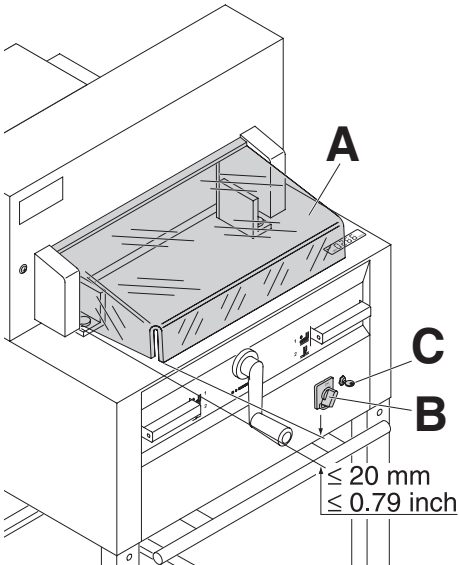
Operating the machine without safety device is forbidden!  
(Front safety guard (A), rear screwed safety guard (B) and panel (C)).

## Safety precautions

---



The dangerous cutting movement is safeguarded by a movable guard (A) and a safety two-handed control system! (B)

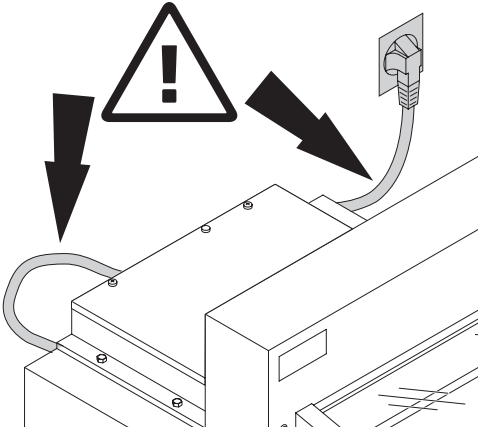


Before working with the machine and after every blade replacement the automatic cut-off function of safety guard (A), (correct if distance between cover and table is  $< 20 \text{ mm}$ ) main switch (B) and control panel (C) must be checked.

## Safety precautions

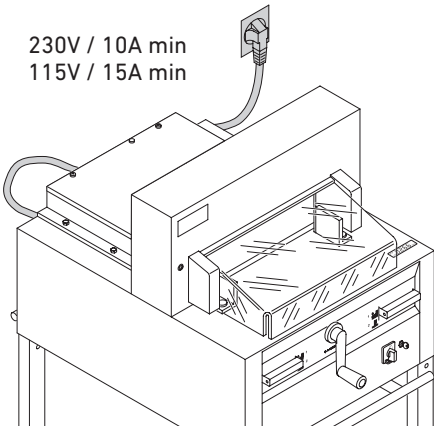
---

Protect mains cable against heat, oil and sharp edges!

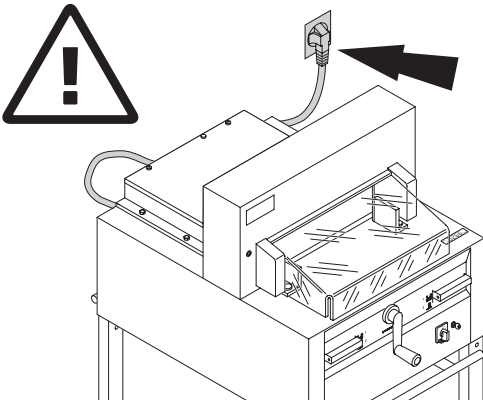


Connect the power cord to a single phase socket.

230V / 10A min  
115V / 15A min



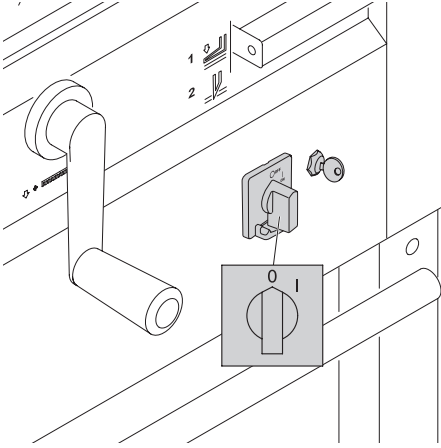
Ensure free access to mains!



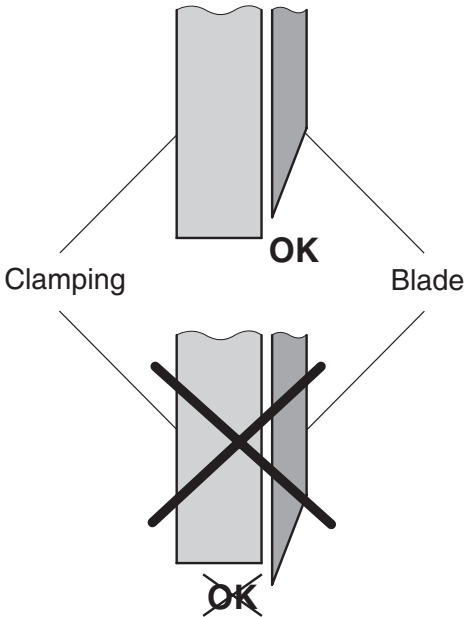


## Safety precautions

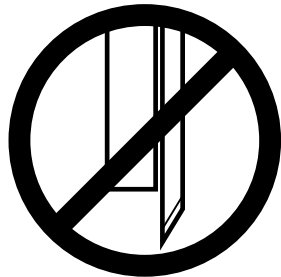
---



When not in use for a longer period switch off.  
(Main switch to "0").

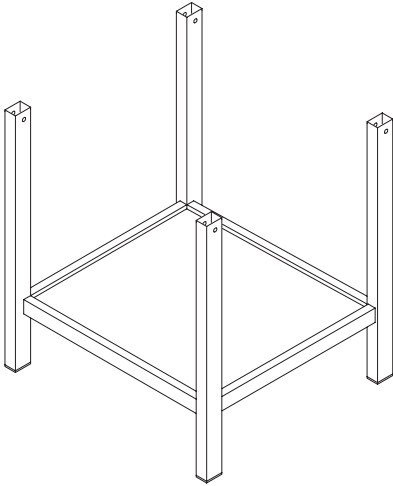


**⚠ Danger!**  
Blade must always be covered by the  
pressing bar.

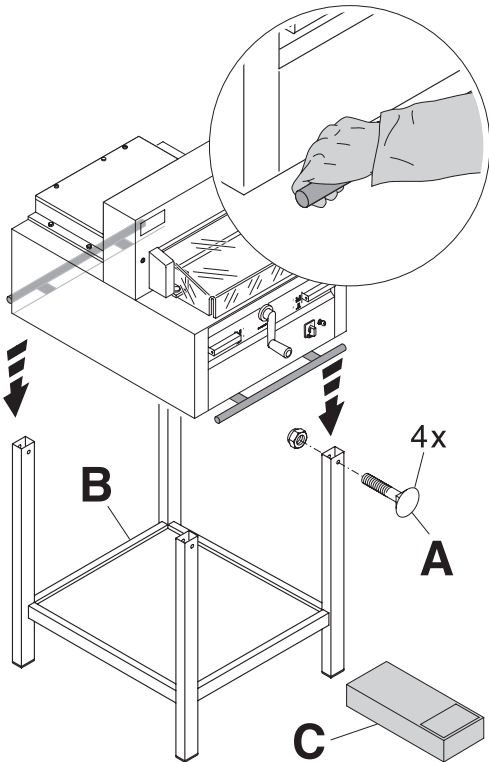


## Installation

---



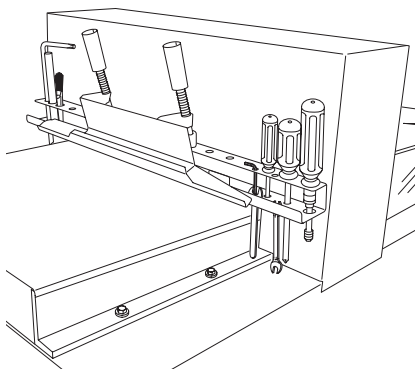
Remove the stand from the wooden pallet.



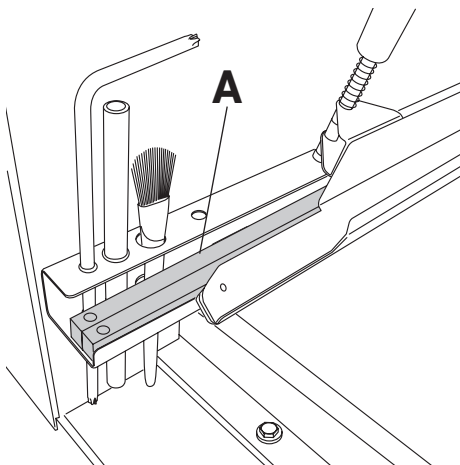
4 strong people are required to lift the machine from the pallet and place it on the stand. Secure with 4 screws (A). Put the shelf (B) on the stand. (Parts and tools are in the tool set (C)).

## Installation

---



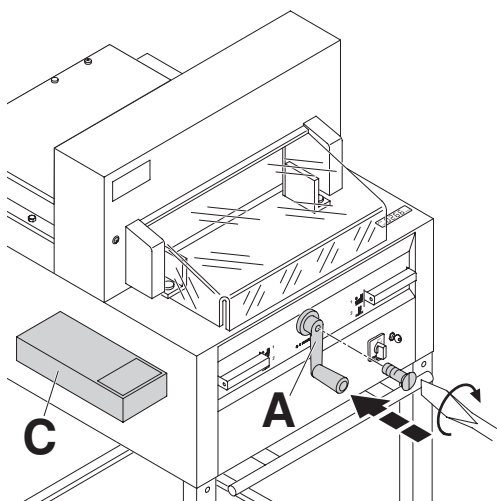
Tools can be kept in the holder provided.



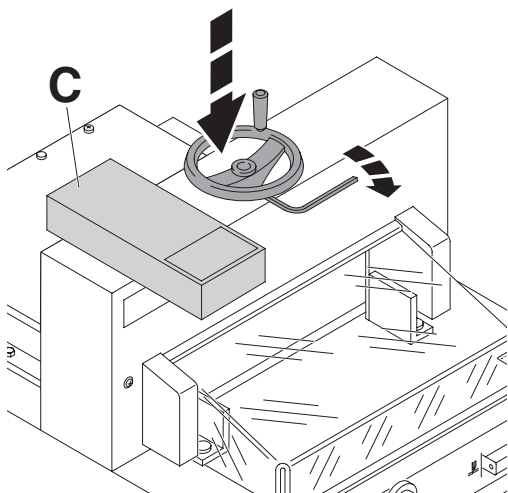
Cutting sticks (A) can be put in the tool holder

## Installation

---



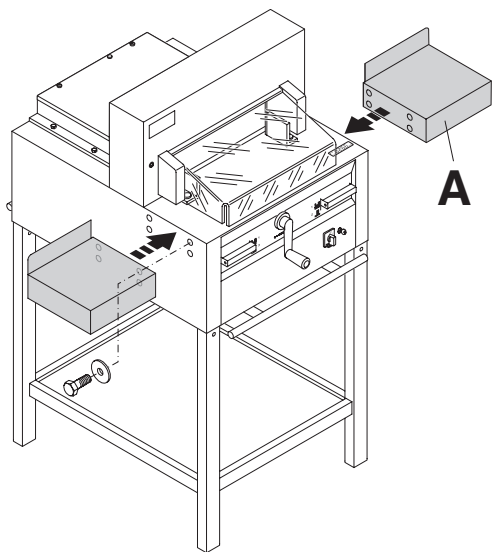
Tighten the backgauge crank (A). Parts and tools are in the tool set (C).



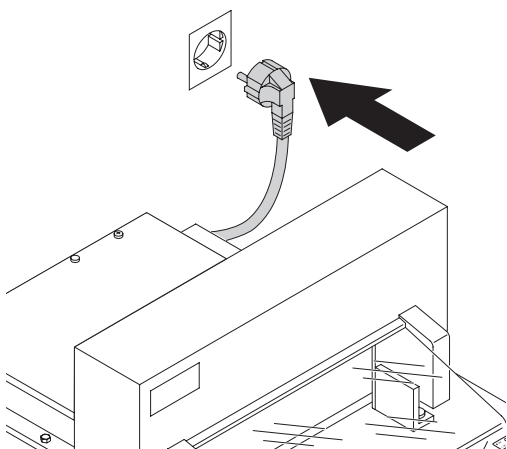
**Only 4815**  
Attach the enclosed hand-wheel for clamping.  
Parts and tools are in the tool set (C).

## Installation / Startup

---



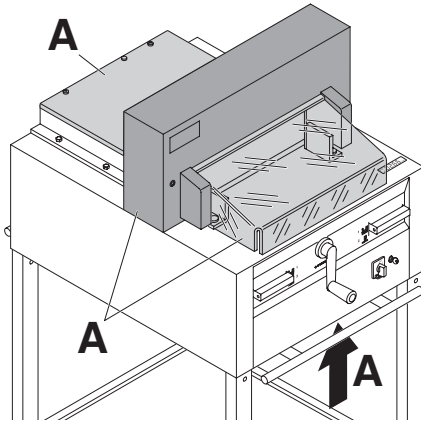
Side tables (A), left and right are available as an option (No. 9000 528).



### Startup

Plug into socket.  
The machine must be connected directly to the socket.

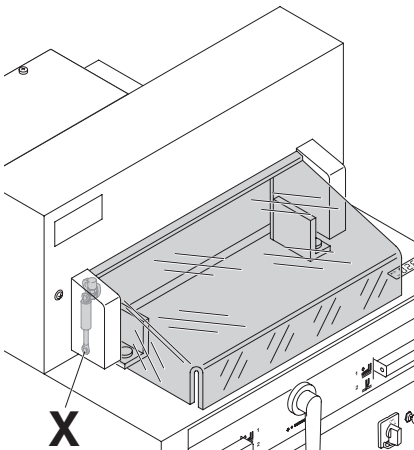
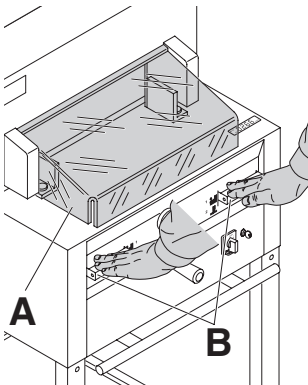
## Startup

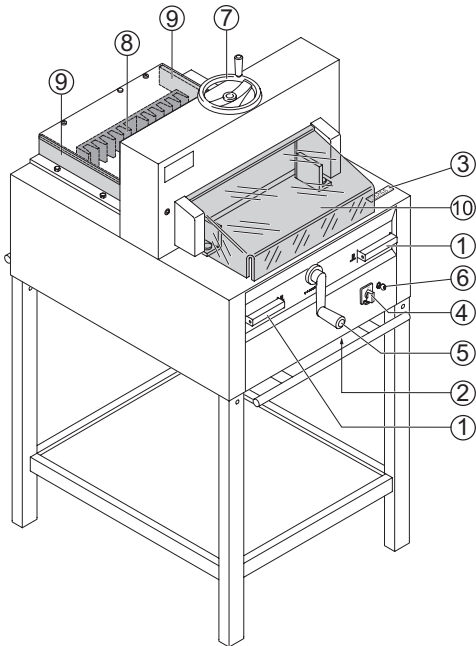


It is forbidden to operate the machine if the operating and safety instructions have not been understood. Please check the safety devices are functioning and complete before use.

- All covers have to be mounted (**A**).
- The release for cutting is allowed only if the cover is closed and the two-hand safety device is operated at the same time (**B**).
- If the front cover closes by itself the gas spring (**X**) needs replacing.

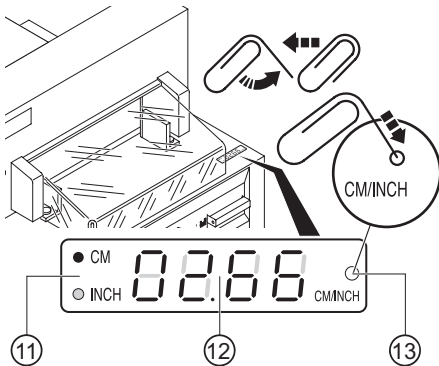
We recommend you keep a record of your test results.





### Operating elements

- ① - Safety two-handed control system  
Pre-clamping (only 4850)  
and cutting
- ② - Overload switch  
Blade drive 4815  
Blade drive, clamp drive,  
4850
- ③ - Display cutting size (cm or inch)
- ④ - Main switch
- ⑤ - Crank handle for backgauge  
setting
- ⑥ - Key switch
- ⑦ - Paper clamp (only 4815)
- ⑧ - Backgauge
- ⑨ - Side lay left and right
- ⑩ - Front safety guard
- ⑪ - Measuring unit (cm or inch)
- ⑫ - Display cutting size (cm or inch)
- ⑬ - Changeover (cm/inch)



### ⚠ Warning!

Before cutting a measurement please check that the measurement scale (cm or inch) is adjusted correctly. See left picture.

### Cutting activation

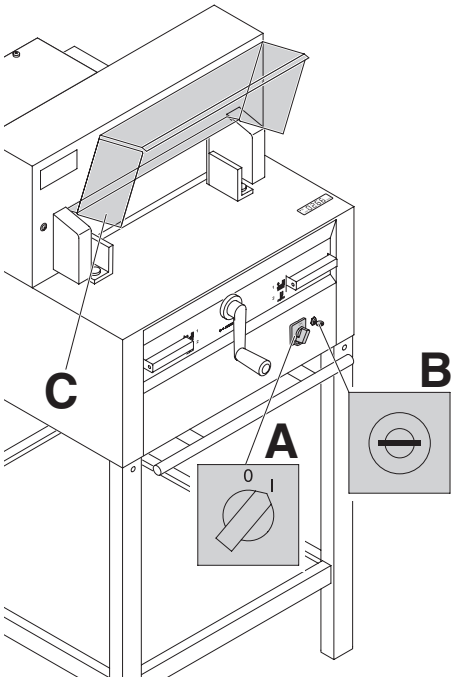
#### ⚠ Warning!

- Run backgauge to the front for turning the paper stack.
- Do not interrupt the upward movement of the blade by performing switching procedures.
- Close the front safety guard ⑩.
- Blade must always be at the top and be covered by the clamp. Do not touch the blade. (see safety information on page 30).

#### ⚠ Risk of injury!

## Operation

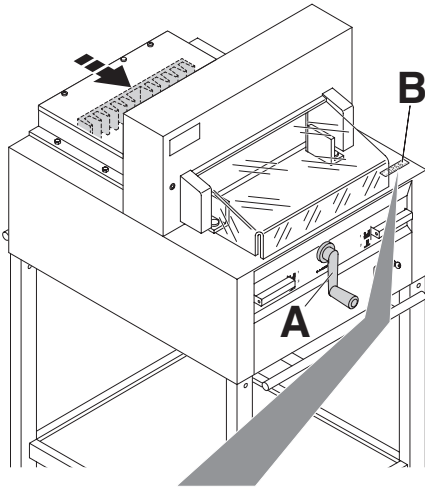
---



Position the main switch ④ to "I" (A). Insert the key ⑥ for the control system and move it to the right (B). Open the safety guard ⑩ (C). The machine is now ready for use.



## Operation



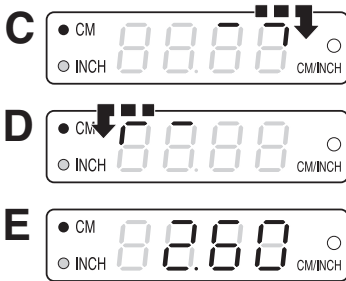
The measurement is set with the backgauge crank. (A) The symbol – rotary direction –  $\curvearrowright$  moves to the right on the display (B) (see picture C). The rotary direction of the backgauge crank (A) is indicated on the right. Keep turning the backgauge crank to the right until a measurement appears (see picture E). The reference position is reached. The cutting size can now be set with the handle (A).

**If the backgauge is right at the front** the symbol – rotary direction – will move to the left (see picture D). Turn the backgauge crank to the left until the rotary direction appears on the right  $\curvearrowright$  in the display (see picture C). Afterwards turn the backgauge crank to the right until a measurement appears (see picture E). The reference position is reached. The cutting size can now be set with the handle (A). Proceed to position  $\rightarrow$  from the rear.

Measurement is shown on the display in inches or cm (B).

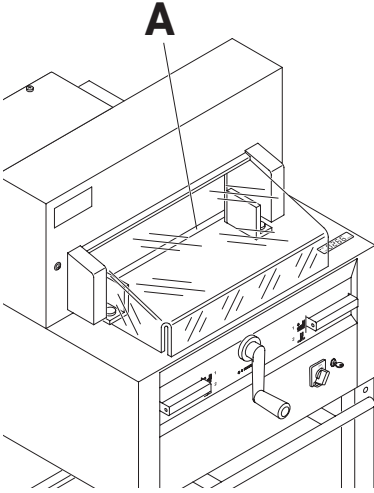
### Information:

When the machine is only switched off by the Key switch ⑥ (main switch ④ is still ON) it is not necessary to advance to the reference point.



## Operation

---

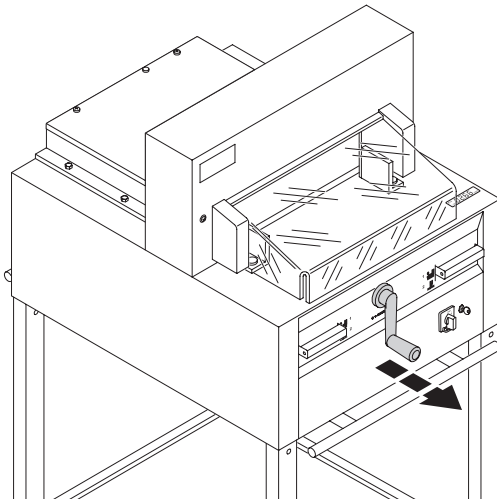


### Cut according to markings

Cut is indicated by means of an optical light beam (A).

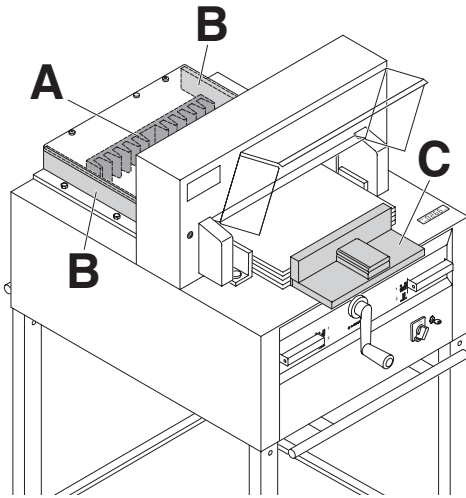
The blade cuts at the front edge of the light beam. Please only use this if an exact measurement is not required.

- Adjust the backgauge with the crank handle ⑤ to the back.
- Insert paper and move by means of the stacking angle to the backgauge ⑧ and side lay on the left ⑨.
- Turn the crank handle ⑤ to the right until the marking on the paper to be cut is below the cutting line indicator.



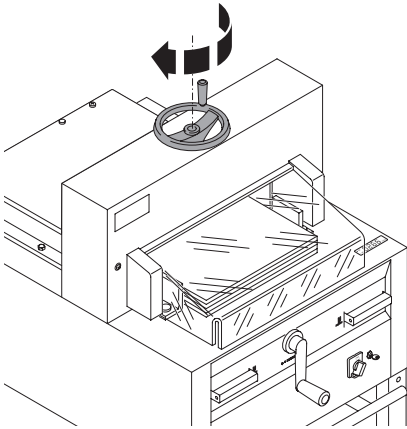
Pull out the handle to avoid the measurement being wrongly adjusted.

## Operation



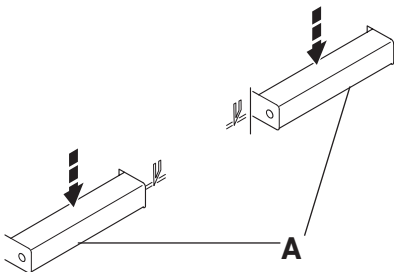
The stack of paper can be placed against the back gauge (A) and the left or right side stop (B). Use the supplied paper knock-up block (C) to move the stack of paper.

**Note:** Place the stack of paper against the back gauge using the paper knock-up block before each cut.



### Only 4815

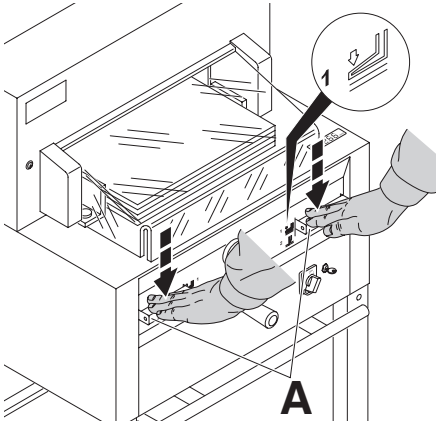
Clamping is released by the hand-wheel. Before every cut lower the clamp by turning the hand-wheel to the right and tighten with a light twist.



### 4815

Press both actuators of the two-handed control system activation (A) simultaneously and then pressed until the paper is completely cut.

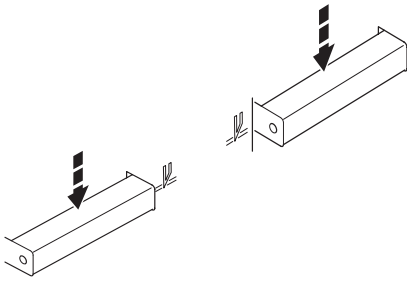
## Operation



### 4850

The clamp moves automatically when cutting is activated.

The paper can also be pressed in advance. Clamping and cutting is activated by pressing actuators (A) on the front table.



### 4850

The actuator has 2 switching steps:

1. pre-clamping
2. automatic clamping and cutting

### 4850

#### Switch position 1



= **Pre-clamping**  
Press down both actuators to step 1



= **Clamp returns**  
Press down completely one of the actuators

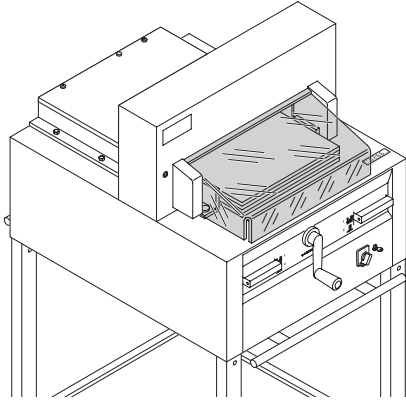
#### Switch position 2



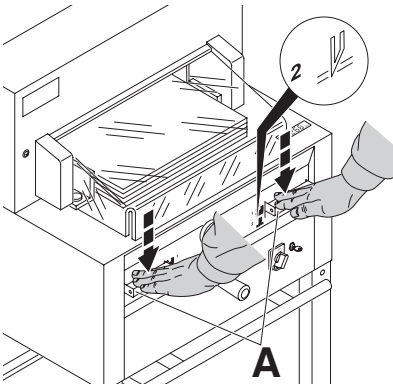
= **Cutting sequence with automatic clamping**  
Press down both actuators to step 2

## Operation

---

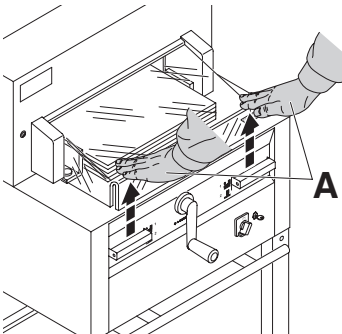


Close the safety guard.



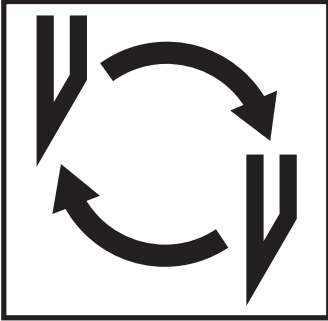
### **Cutting activation:**

Press both buttons of the two-handed control system activation (A) simultaneously and then pressed until the paper is completely cut.



### **To interrupt or stop cutting:**

To interrupt or stop cutting, release both buttons (A) of the two-hand control.



**If the cutting quality decreases:**

- Check the cutting depth (see page 30).
- Check the cutting stick (see page 26).
- Replace or grind the blade (see page 22 - 30).

**The blade cannot be ground if the blade height is less than 83 mm/3,29 inches.**

**A new blade must be used.**

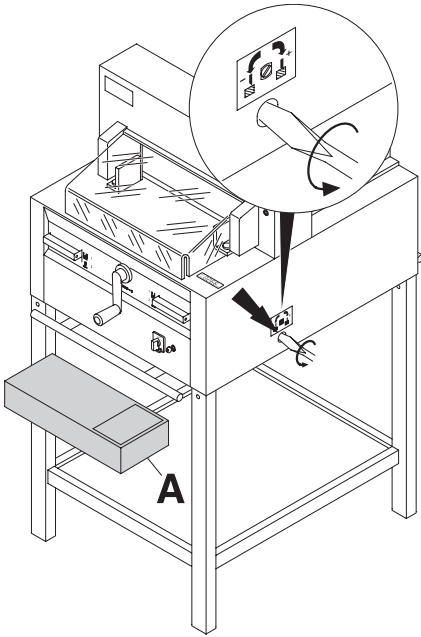
The blade may only be ground by a qualified supplier or from the manufacturer Krug & Priester, D-72336 Balingen.

**⚠ Danger! Risk of injury!**

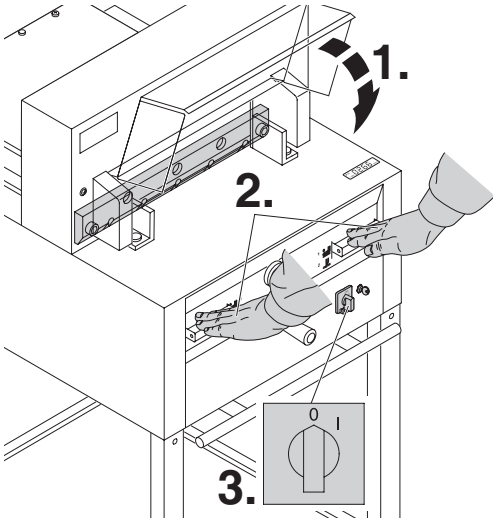
**The blade is extremely sharp. Do not extract or transport the blade without protection. Changing the blade may only be performed by trained staff.**

## Blade and cutting stick replacement

---

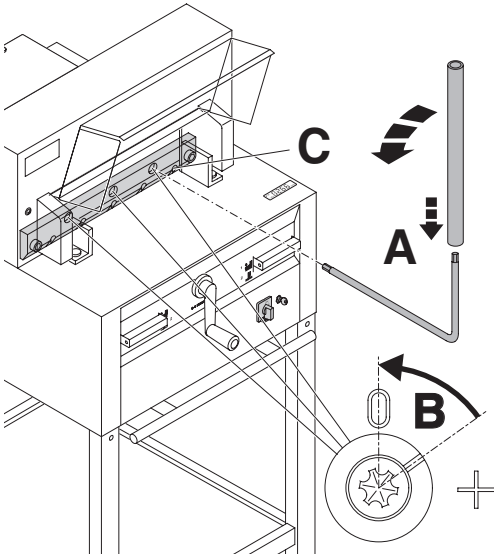


Turn the blade depth adjustment screw to the left until it stops.  
(Screwdriver found in tool set) (A).

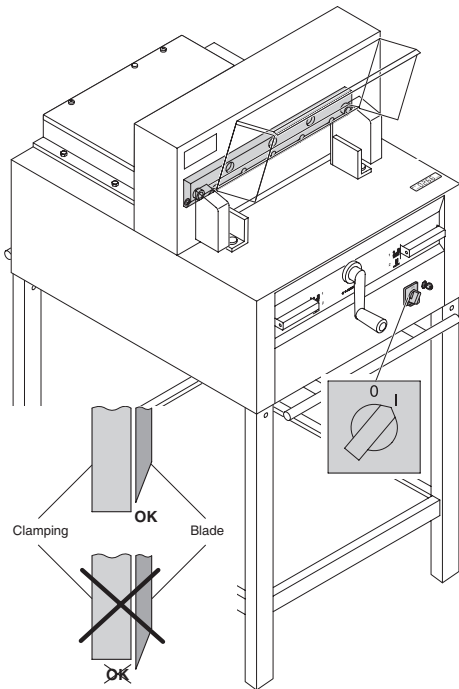


Close the safety guard (1.).  
Lower the blade by pressing both cutting actuators (2.). Keep one actuator pressed and turn off the main switch (3.).

## Blade and cutting stick replacement



The 3 eccentrics are now exposed and should be turned counter clockwise to position "0" with the special wrench and attachable extension pipe (A) (in the tool set). The slot must correspond to position "0" (B). Unscrew the blade screws (C) on the right hand side.

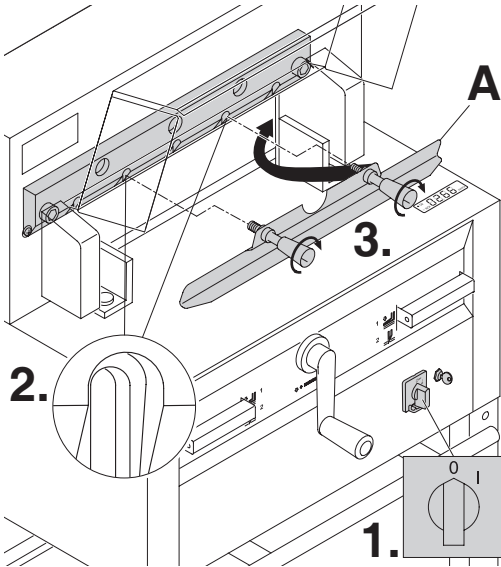


Remove the special wrench and turn on the main switch until the blade returns to the home position.

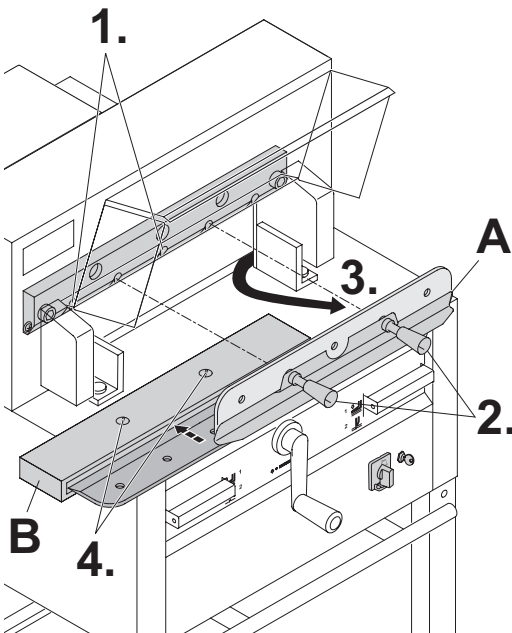
**Do not turn main switch to position "0" whilst blade is moving upwards!**  
**The clamp must always overlap the blade!**  
**⚠ Danger! Risk of injury!**



## Blade and cutting stick replacement

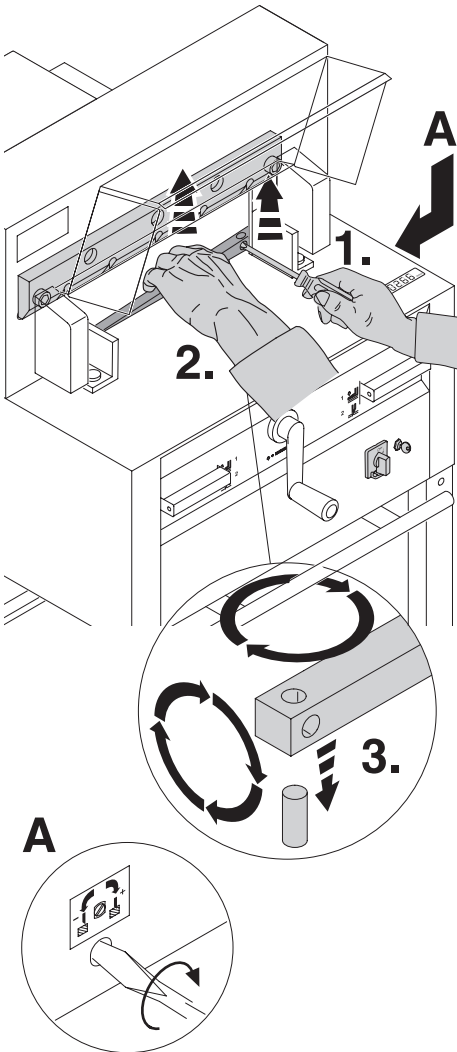


Position the main switch to "0" (1.)  
Remove the 2 blade screws on the elongated holes (2.). Then put the blade changing tool (A) into place and fasten it to the blade (3.).



Remove 2 blade screws (1.).  
Loosen the grips (2.) of the blade changing tool (A) lightly and allow the blade to be taken downwards out of the machine (3.). Place the blade into the blade carrier (B) and screw it into place (4.).

## Blade and cutting stick replacement



Take out the cutting stick with a small screwdriver. If needed the cutting stick can be turned or exchanged. (The cutting stick can be used eight times).

### Replacing the cutting stick (not the blade).

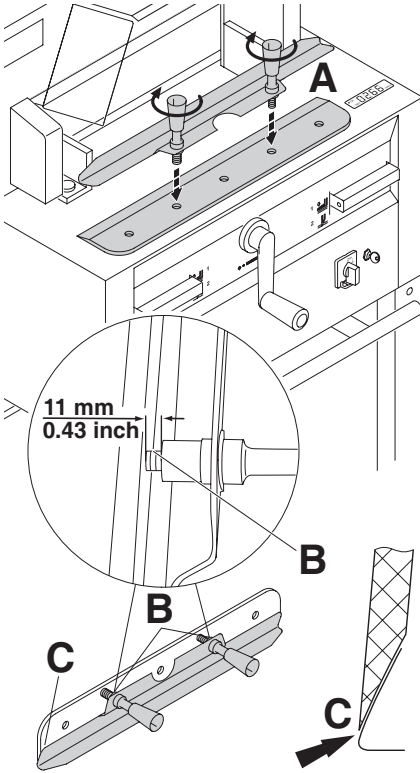
- Turn the blade adjusting screw (A) to the left until it stops. (Otherwise the first cut will be too deep).
- Remove the cutting stick according to top picture.
- Turn the cutting stick (the non-used side must be near to the blade) and plug it into the holding bolt.

**⚠ Danger! Risk of injury!**

### Cutting test after replacing the cutting stick (not the blade)

- Insert the paper and release the cut.
- If the last sheet of paper is not cut along the entire length turn the blade adjusting screw (A)  $\frac{1}{4}$  turn to the right.
- If the last sheet is still not completely cut repeat this process until the last sheet is cut along the entire length.

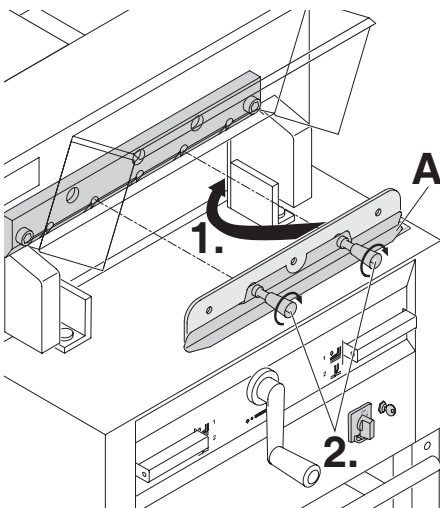
## Blade and cutting stick replacement



Take the exchange blade carefully out of the blade box and screw it to the blade changing tool (A).

- Make sure there is a space of 11 mm or 0.43 inches! (B).
- Blade must be covered! (C).

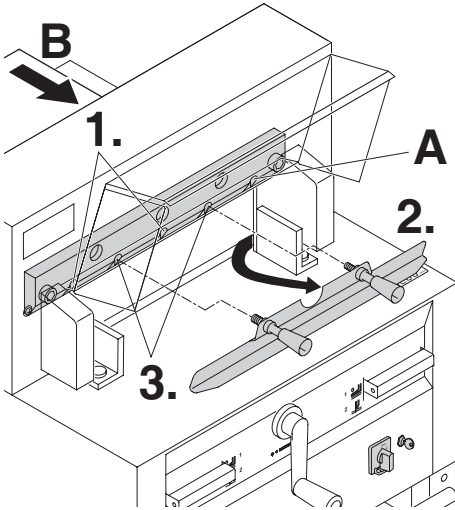
**⚠ Danger! Risk of injury!**



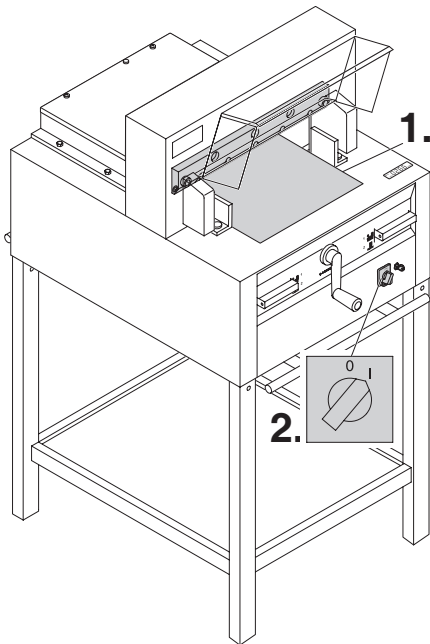
Place the blade to be exchanged with the blade changing tool (A) mounted (1.), into the blade carrier and push it up to the top and screw it into place with the grips (2.).

## Blade and cutting stick replacement

---

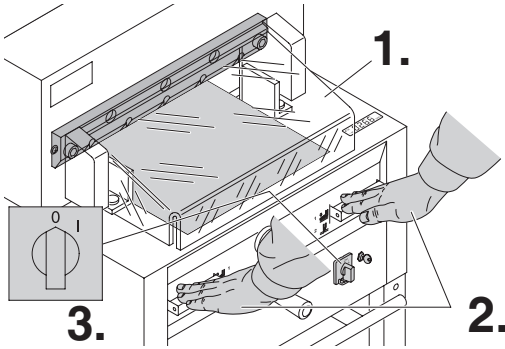


Lightly tighten 2 of the 5 blade screws (1).  
Remove the blade changing tool (2).  
Lightly tighten the remaining blade screws (3).  
Lightly screw in the right blade screw (A) when the blade is lowered.

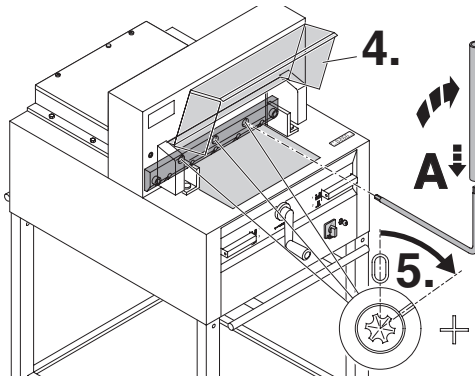


Remove all tools and distribute paper along the entire cutting length (1).  
Turn main switch to position "I" (2).

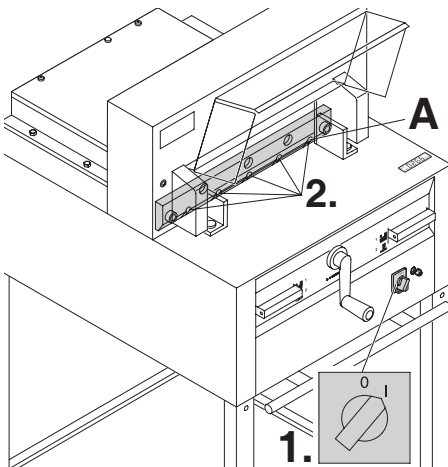
## Blade and cutting stick replacement



Close the safety guard (1.) Lower the blade by pressing both cutting buttons (2.). Keep one button pressed and turn off the main switch (3.).



Open the safety guard (4.). With the special wrench (B) the 3 eccentrics should be screwed down (5.) until the paper is cut along the entire length of the blade (The blade must remain parallel, not too deep into cutting stick).



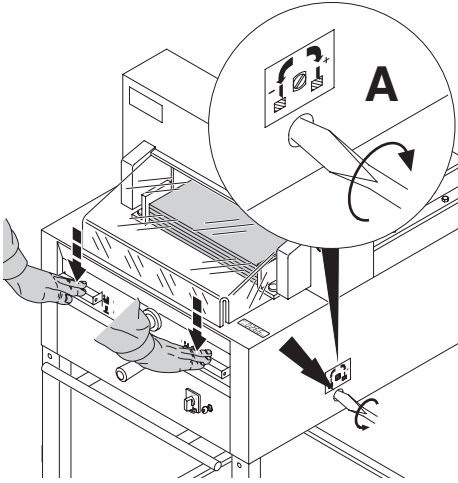
Tighten the blade screws (A) on the right hand side.

Turn main switch to position "I" (1.). Blade will return to upper position. Tighten the blade screws (2.) firmly.

**Do not turn main switch to position "0" whilst blade is moving upwards! The clamp must always overlap the blade! (see page 30).**

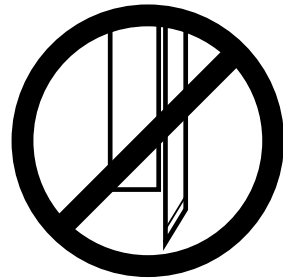
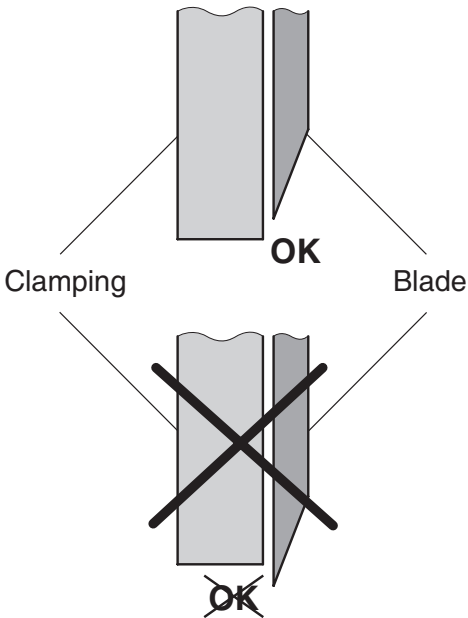
**⚠ Danger! Risk of injury!**

## Blade and cutting stick replacement

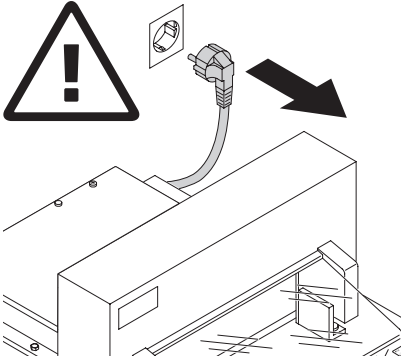


Paper cutting test. If the last sheet or several sheets are not completely cut, gradually turn the knob for blade depth adjustment (A)  $\frac{1}{4}$  turn to the right until the paper is cut along the entire length. Do not set too low as blade will become blunt sooner.

**⚠ Danger!**  
**Blade must always be covered by the pressing bar (see picture below at the left).**



## Maintenance and cleaning



Maintenance work may only be performed by trained staff.

**⚠ Danger! Disconnect the mains before starting any service work or before removing the cover.**

Grease the backgauge (A) control weekly with a grease gun. Advance the backgauge as far as possible to the front (use special grease for cutting machines).

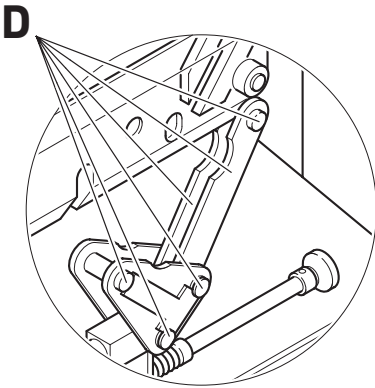
Grease the remaining parts twice a year (see picture).

The main switch must be on "0" (B).

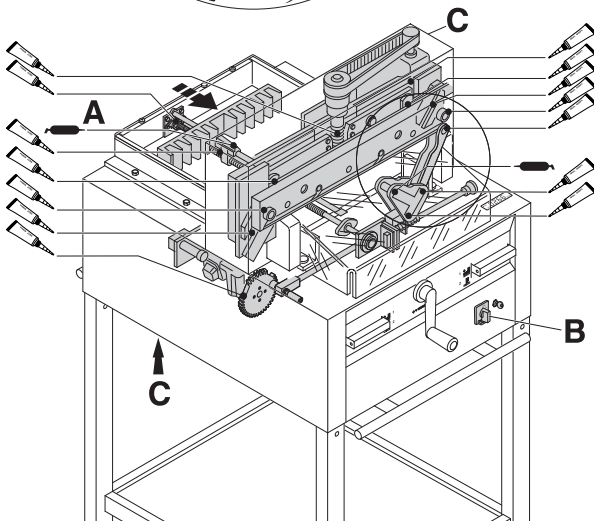
Remove panel (C). Tools in tool set.


- Remove any paper.
- Grease the machine.
- Check the 4 joining bolts and 2 pushing bars for wear (D). If necessary inform your service personnel.
- Mount the machine.

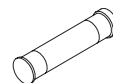
With more than 5 hours of use per day, the service must be performed more often.



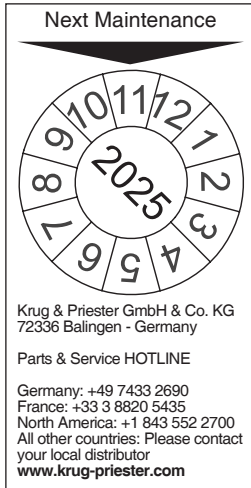
 /  = Greasing points on the machine.



 No. 9000 625

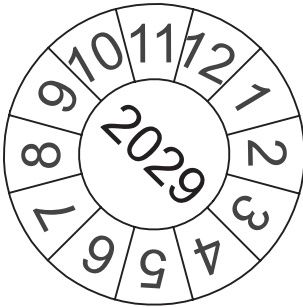
 No. 9800 933

 No. 9001 828



### Annual inspection

To maintain the operational safety and to prevent premature wear, we recommend an annual inspection and maintenance of the machine by a qualified service technician.



### Safety test

The safety regulations are according to the regulations of the country where the cutting machine is operated. The manufacturer recommends a safety check is made every 5 years by an authorised service team.



## Possible malfunctions

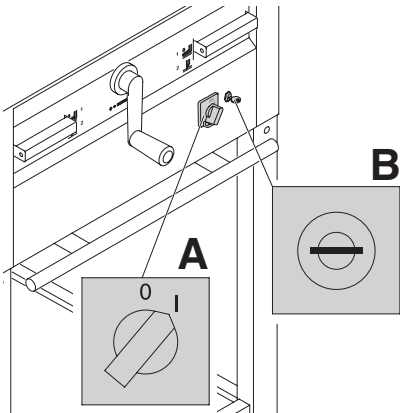
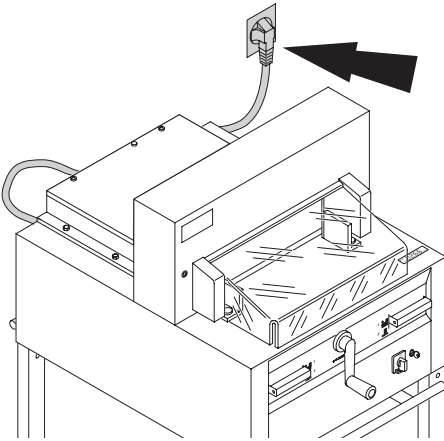
---



**Machine does not function!**

---

Is the machine plugged in?



Main switch to position "I"? **(A)**

Control system activated? **(B)**

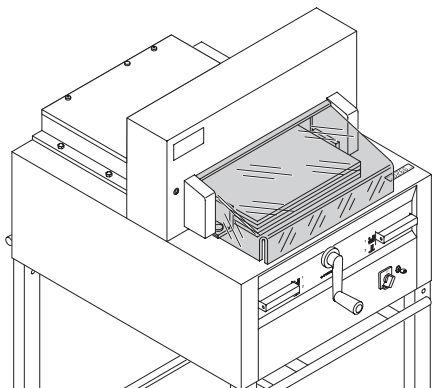
(Turn key to the right)

Check the units fuse and the on-site circuit breaker!

Release a cut see page 19 and 20.

## Possible malfunctions

---

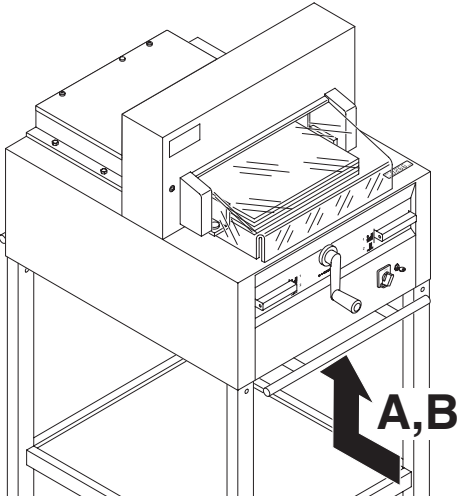


### **Cut cannot be made.**

- If cover is open:  
**close it.**
- If cover is closed:  
**open and re-close it. (Security check).**

## Possible malfunctions

---



### Machine turns off:

- Machine overloaded.  
Safety button (A) ejects.  
(Allow 1 minute cooling time and reset the safety button (A).
- Machine blocked.
- Blade is blunt.  
Eliminate the cause, and push the safety button (A).

### Only 4850

- Clamping drive blocked  
Safety button (B) ejects.  
Eliminate the cause, and push the safety button (B).

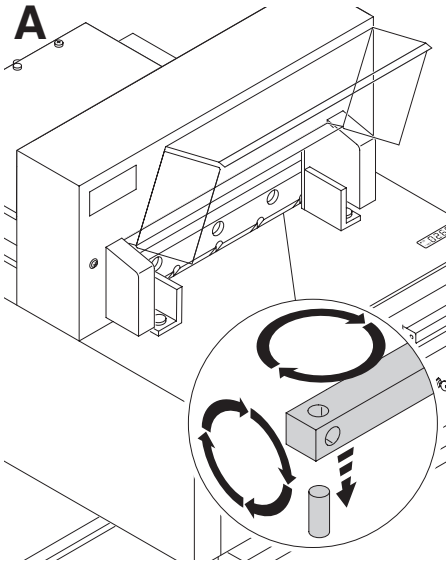
### Safety button for:



**A = Blade drive**

**B = Clamping drive**

## Possible malfunctions

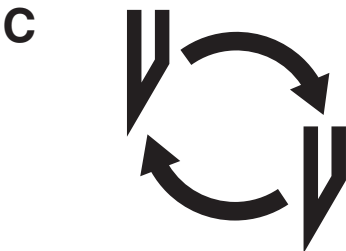
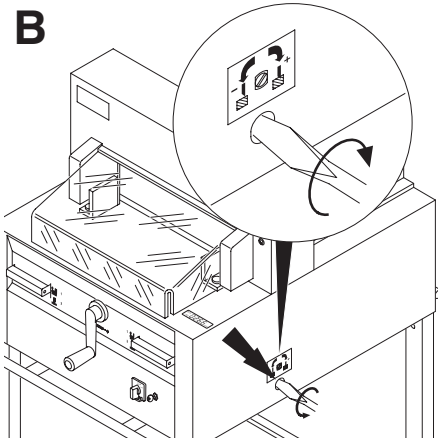


### Does not cut through the last sheet:

- Turn or turn around the cutting stick (A), readjust the blade by means of the blade adjusting knob (B) (see page 30).

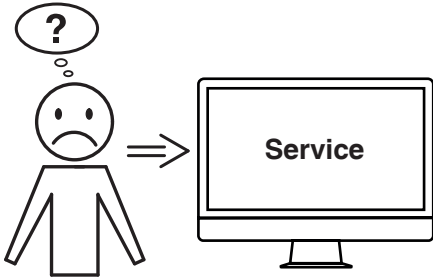
### Poor cutting quality or blade stays in the paper stack.

- Change the blade (C) (see pages 22 - 30).



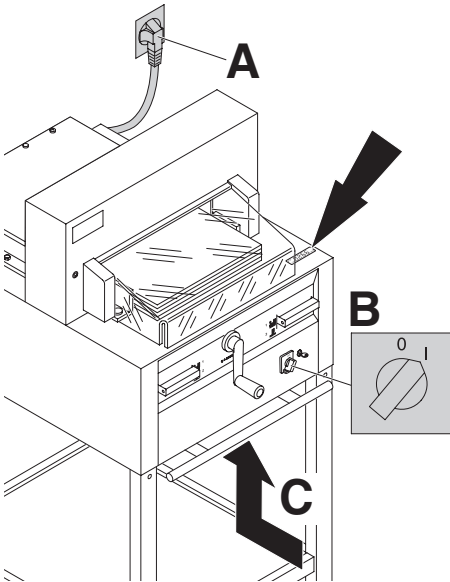
## Possible malfunctions

---



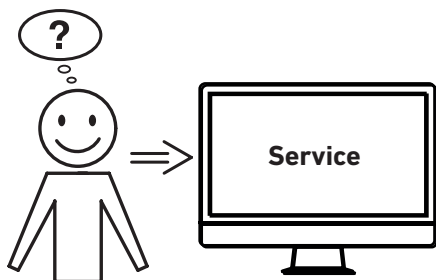
### Motor runs but blade does not move downwards.

- Security brake has been activated!  
Inform the Service Team!
- [www.krug-priester.com](http://www.krug-priester.com) → "Service"  
[service@krug-priester.com](mailto:service@krug-priester.com)



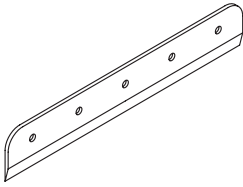
### Display illumination off

- Machine is plugged in? (A)
- Main switch on position "I"? (B)
- Push in the safety button! (C)
- Check the units fuse and the on-site circuit breaker!



**Did none of the specified solutions help you with your problem?**

- Contact: Service
- [www.krug-priester.com](http://www.krug-priester.com)
  - [service@krug-priester.com](mailto:service@krug-priester.com)



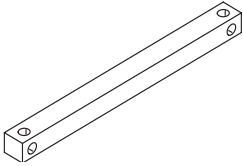
### Recommended accessories:

#### Blade

- No. 9000 021

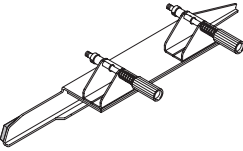
#### HSS - Blade

- No. 9000 126



#### Cutting stick (6 pieces)

- No. 9000 022 (red)
- No. 9000 303 (grey)

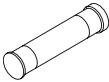


#### Blade changing tool <sup>1</sup>

- No. 9000 523



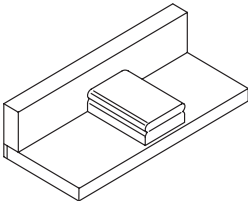
- #### Grease tube <sup>1</sup>
- No. 9000 625



- #### Grease cartridge
- No. 9800 933

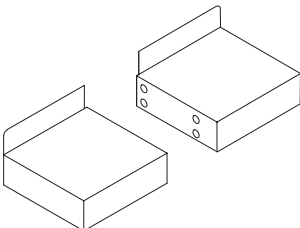


- #### Brush
- No. 9001 828



#### Paper knock-up block <sup>1</sup>

- No. 9000 521

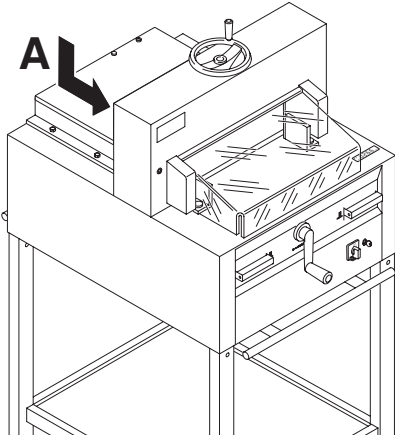


#### Side tables left and right

- No. 9000 528

<sup>1</sup> Included in delivery

## Technical data



### Technical data:

- Power supply: 230V/50Hz/1~, 120V/60Hz/1~
- Cutting height: 80 mm
- Sound level EN 13023: < 70 dB (A)
- Leakage current < 3,5mA
- Power cord gauge min. 1,5mm<sup>2</sup> (230V).
- Power cord gauge AWG 14 (15A) (120V) (4815)
- Power cord gauge AWG 12 (20A) (120V) (4850)

The exact technical specifications can be found on the technical specifications sticker (A) on the machine. A wiring diagram is found in the electrical switch box.

To claim under guarantee, the machine must still carry its original identification label.

	Cutting-length mm	Table-depth mm	Minimum space requirement (W X D X H) mm	Weight kg
4815	475	458	762* x 1053 x 1410	212**
4850	475	458	762* x 1053 x 1296	225***

\* with side tables: 1349 mm

\*\* with side tables: 4815 / 221 kg

\*\*\* with side tables: 4850 / 234 kg



## Technical data

---



I.T.E. Listed 802 D



This machine is approved by independent safety laboratories and is in compliance with the EC-regulations 2006/42/EG and 2014/30/EU.

**Sound level information:**

The sound level is < 70 db (A) as defined by EN 13023.

Subject to alteration without notice.



The company Krug + Priester has the following certifications:

- Quality management system according to DIN EN ISO 9001
- Environmental management system according to DIN EN ISO 14001
- Energy management system according to DIN EN ISO 50001



## EC-declaration of conformity

---

### EC-declaration of conformity

- Herewith we declare that

	<b>GS-ID No.</b>	<b>UL-ID No.</b>
<b>4815</b>	<b>11481501</b>	<b>10481001</b>
<b>4850</b>	<b>11485001</b>	<b>10485001</b>

- complies with the following provisions applying to it

**2006/42/EG:**

EC Machinery directive

**2014/30/EG:**

EMV Electromagnetic compatibility directive

**2011/65/EU, 2015/863/EU**

RoHS directive

- Applied harmonised standards in particular

**EN 60204-1; EN 1010-1; EN 1010-3; EN 55014-1; EN 55014-2;  
EN 61000-3-2; EN 61000-3-3; EN ISO 12100; EN 61496-1; EN 61496-2;  
EN ISO 13857; EN ISO 11204; EN 13023; EN ISO 13849-1;  
BS EN 60204-1; BS EN 1010-1; BS EN 1010-3; BS EN 55014-1; BS EN 55014-2;  
BS EN 61000-3-2; BS EN 61000-3-3; BS EN ISO 12100;  
BS EN ISO 13857; BS EN ISO 11204; BS EN 13023; BS EN ISO 13849-1**

10.02.2022

Date

Authorized representative for technical documentation



Krug & Priester GmbH & Co. KG  
Simon-Schweitzer-Str. 34  
D-72336 Balingen (Germany)

Daniel Priester  
- Managing Director -

