

IDEAL 4855



IDEAL 5255



IDEAL 6655



Table of Contents

Safety precautions	3
Intended use	4
Operating elements	5
Installation	10
Startup	12
Operation	15
Blade and cutting stick replacement	26
Maintenance and cleaning	35
Annual inspection / Safety test	36
Possible malfunctions	37
Accessories	42
Technical data	43
EC-declaration of conformity	46

Safety precautions



Please read these operating instructions before putting the machine into operation and observe the safety precautions.
The operating instructions must always be available.



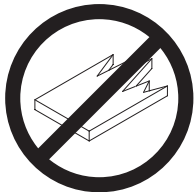
Children must not operate the machine!



Do not reach beneath the blade!



Never leave the blade unattended!
Do not extract or transport the blade without protection! (See page 29 and 31).
⚠ Danger! Risk of injury!



Do not cut hard materials or materials which may splinter!

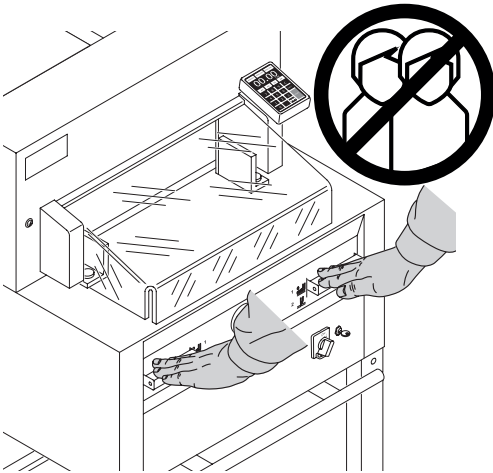
Safety precautions / Intended use



Do not use any spray cans with flammable content near to the cutting machine!



Do not use any flammable cleaning agents.

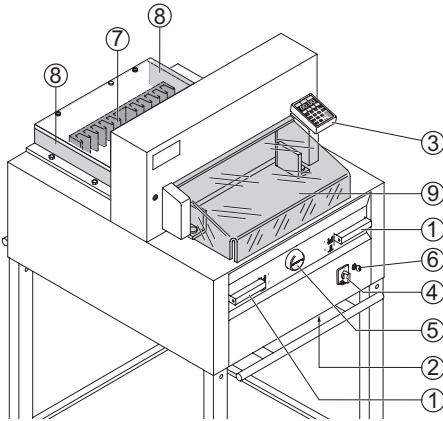


Intended use

The machine is designed for cutting stacks of paper to a specified size.

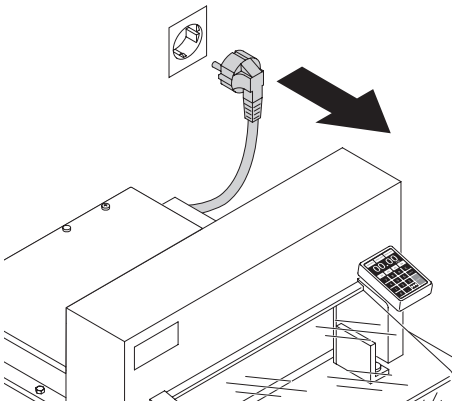
This machine is constructed for "one-man operation" only!

⚠ Warning! Clips or similar damage the cutting blade.

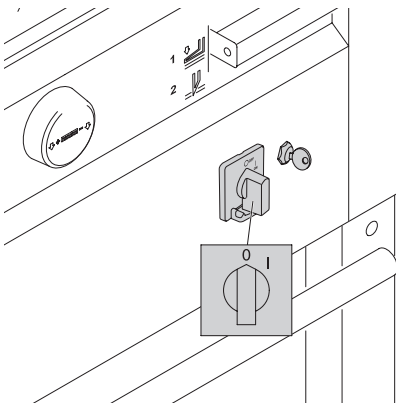


Operating elements

- ① Safety two-handed control system
Pre-clamping and cutting
- ② Overload switch (blade drive/clamp drive/
backgauge drive)
- ③ Backgauge control
- ④ Main switch
- ⑤ Hand-wheel for backgauge setting
- ⑥ Key switch
- ⑦ Backgauge
- ⑧ Side lay left and right
- ⑨ Front safety guard

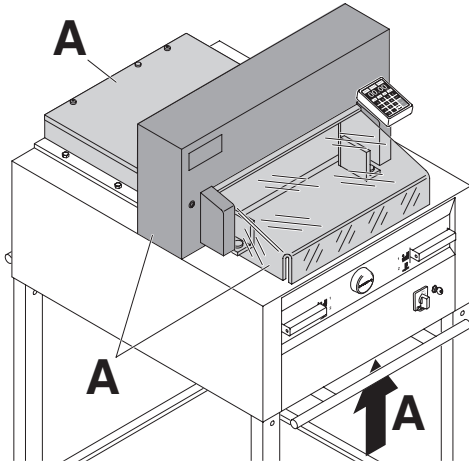


Disconnect from the mains before starting any service work or before removing the panels!

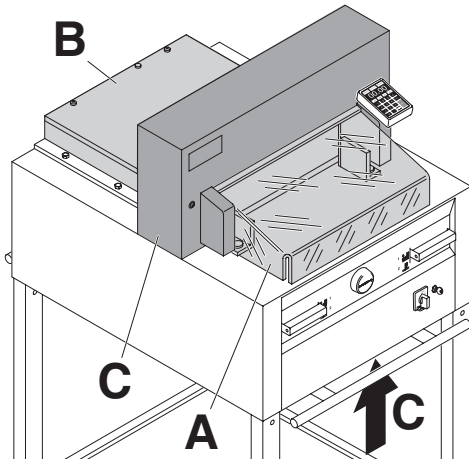


Replacement of blade and cutting stick may be performed only when the main switch is switched off!

Safety precautions

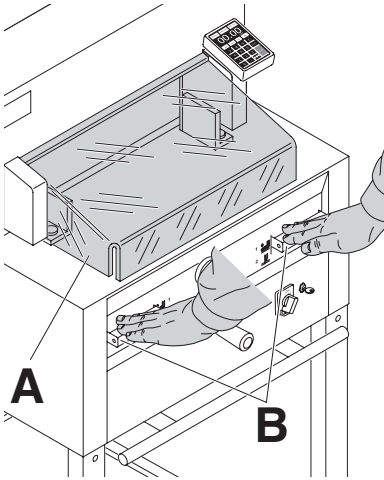


All components which could endanger the operator are covered by a guard!

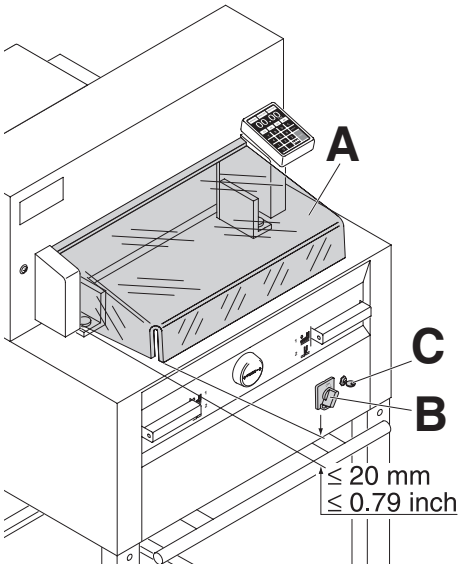


Operating the machine without safety device is forbidden!
(Front safety guard (A), rear screwed safety guard (B) and panel (C)).

Safety precautions

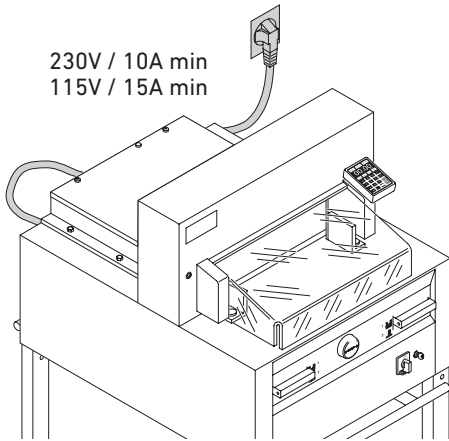


The dangerous cutting movement is safeguarded by a movable guard (A) and a safety two-handed control system! (B)

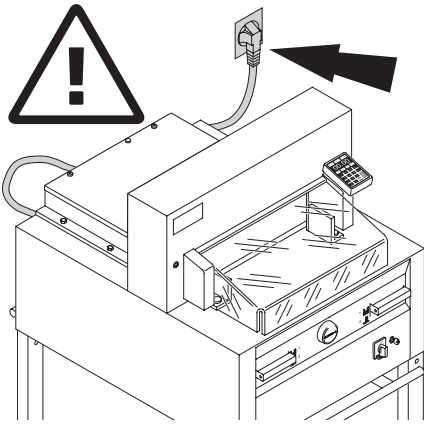


Before working with the machine and after every blade replacement the automatic cut-off function of safety guard (A), (correct if distance between cover and table is $< 20 \text{ mm}$) main switch (B) and control panel (C) must be checked.

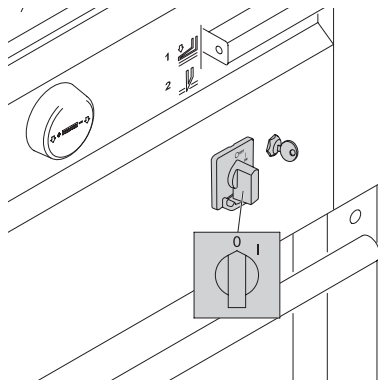
Safety precautions



Connect the power cord to a single phase socket.

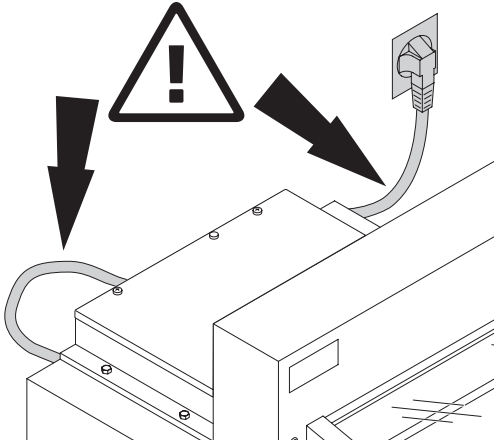


Ensure free access to mains!

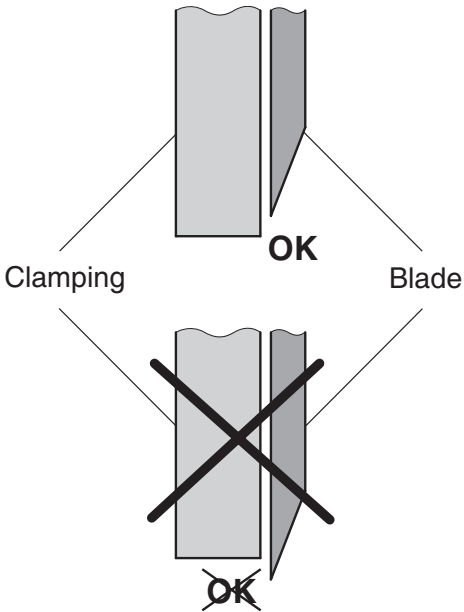


When not in use for a longer period switch off.
(Main switch to "0").

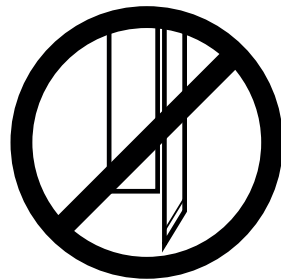
Safety precautions



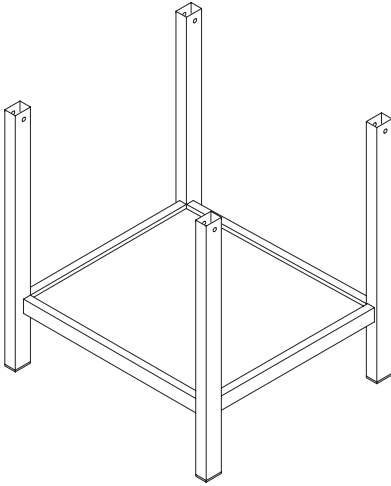
Protect mains cable against heat, oil and sharp edges!



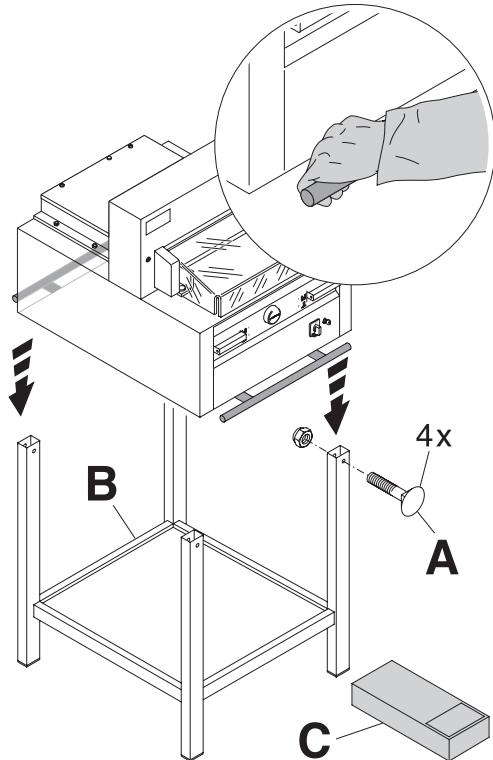
⚠ Danger!
Blade must always be covered by the pressing bar.



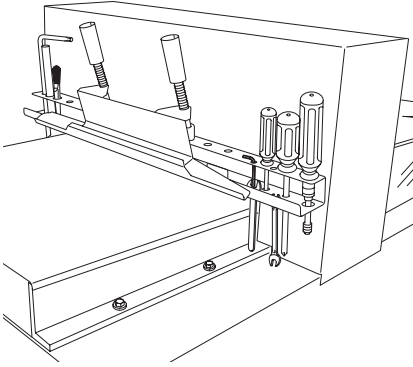
Installation



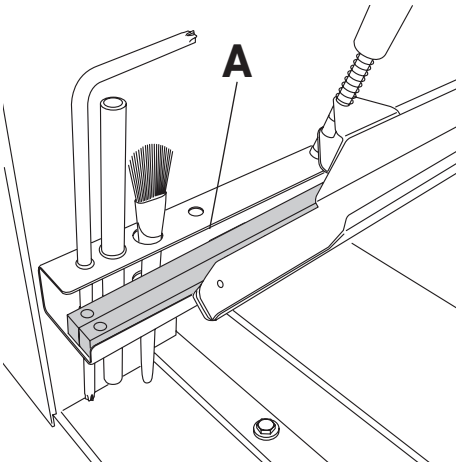
Remove the stand from the wooden pallet.



Installation

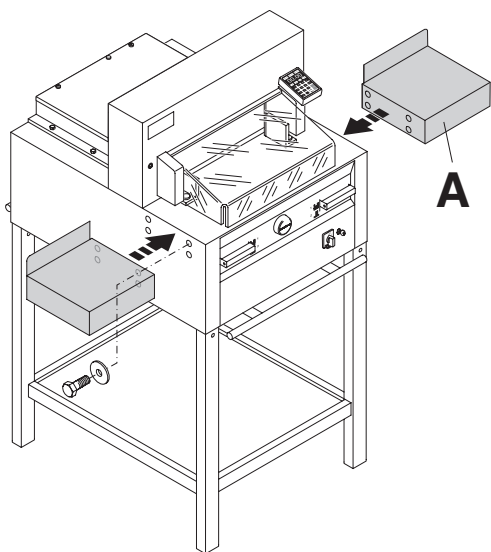


Tools can be kept in the holder provided.

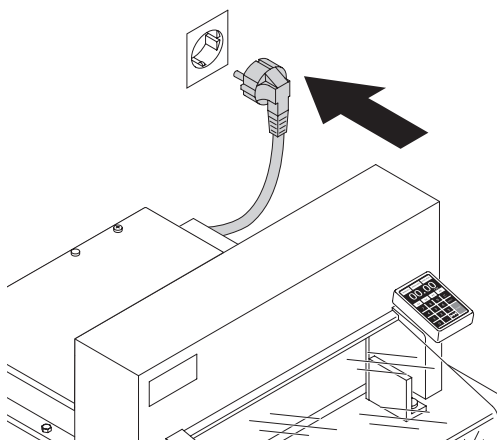


Cutting sticks (A) can be put in the tool holder.

Installation / Startup



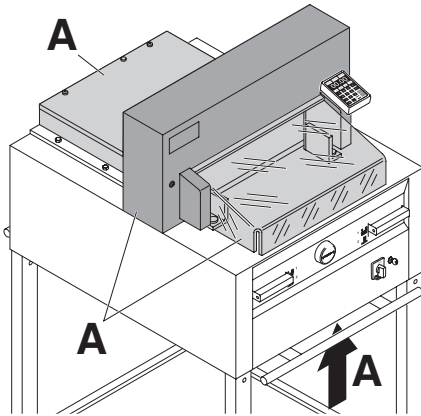
Side tables (A), left and right are available as an option (No. 9000 528).



Startup

Plug into socket.
The machine must be connected directly to the socket.

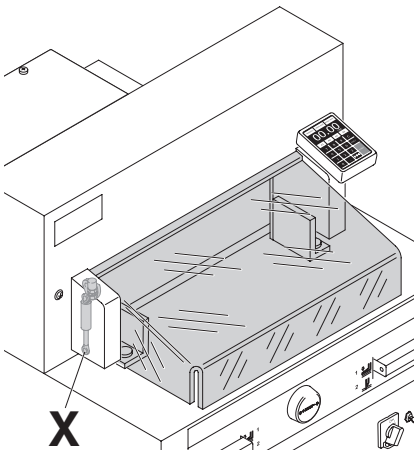
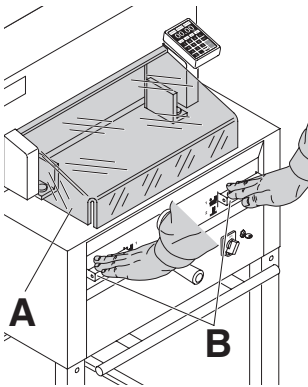
Startup



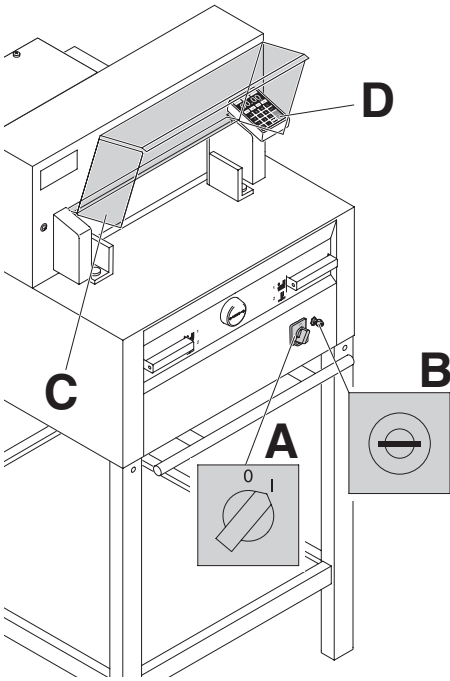
It is forbidden to operate the machine if the operating and safety instructions have not been understood. Please check the safety devices are functioning and complete before use.

- All covers have to be mounted (A).
- The release for cutting is allowed only if the cover is closed and the two-hand safety device is operated at the same time (B)
- If the front cover closes by itself the gas spring (X) needs replacing.

We recommend you keep a record of your test results.



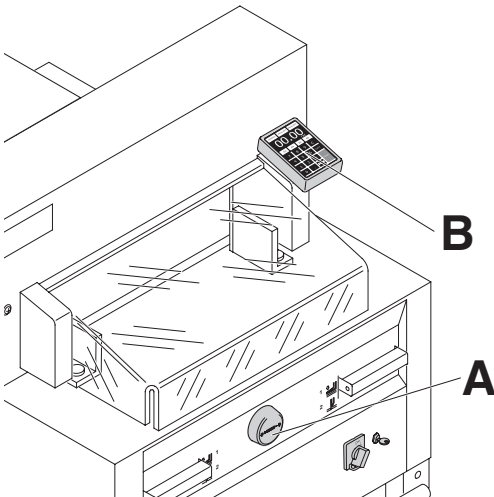
Startup



Position the main switch to "I" (A). Insert the key for the control system and move it to the right (B). Open the safety guard (C). The machine is now ready for use.

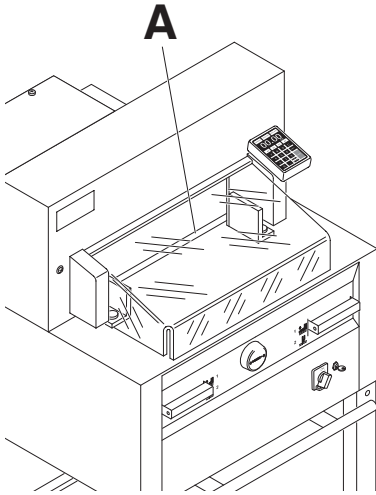
Press  button (D).

Machine will automatically go to the start position.

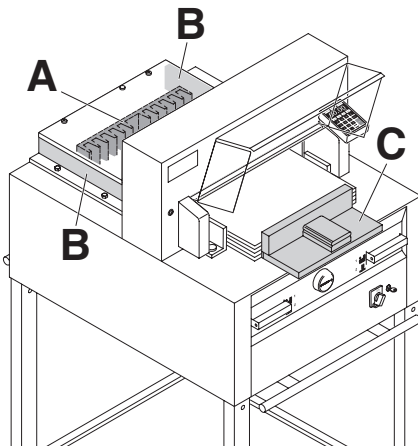


The measurement is set either with the hand-wheel (A) or by programming (B) the cutting measurements. Measurement is shown on the display in inches or cm (B).

Operation



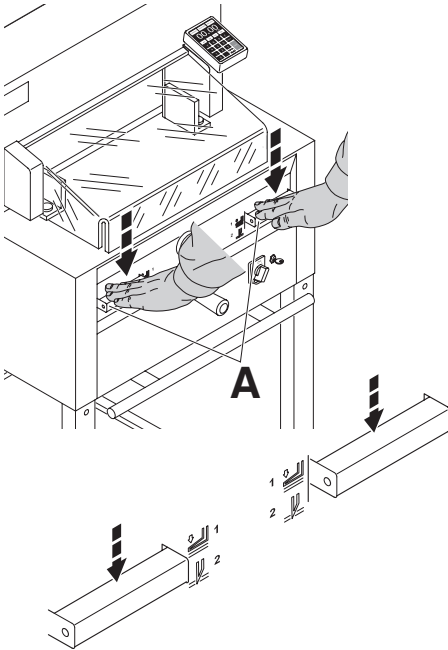
Cut is indicated by means of an optical light beam (A). The blade cuts at the front edge of the light beam. Please only use this if an exact measurement is not required.



The stack of paper can be placed against the back gauge (A) and the left or right side stop (B). Use the supplied paper knock-up block (C) to move the stack of paper.

Note: Place the stack of paper against the back gauge using the paper knock-up block before each cut.

Operation



The clamp moves automatically when cutting is activated.

The paper can also be pressed in advance. Clamping and cutting is activated by the actuators (A) on the front table.

The actuator has 2 switching steps:

1. pre-clamping
2. automatic clamping and cutting

Switch position 1



= **Pre-clamping**
Press down both actuators to step 1



= **Clamp returns**
Press down completely one of the actuators

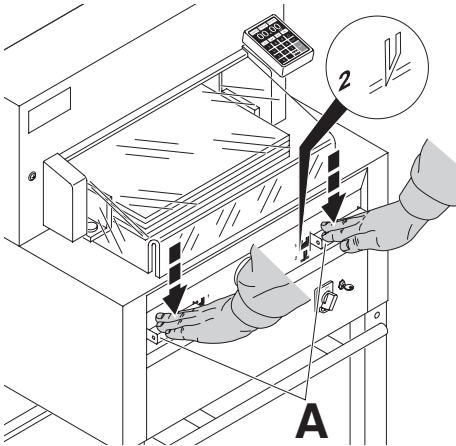
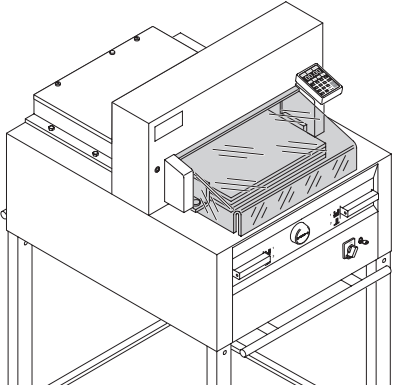
Switch position 2



= **Cutting sequence with automatic clamping**
Press down both actuators to step 2

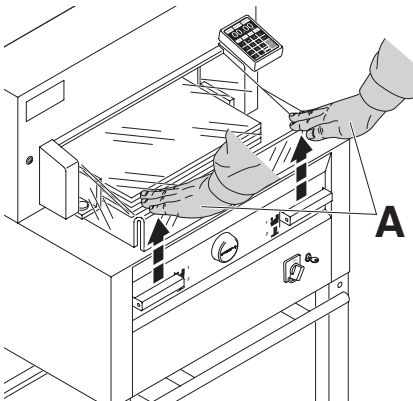
Operation

Close the safety guard.



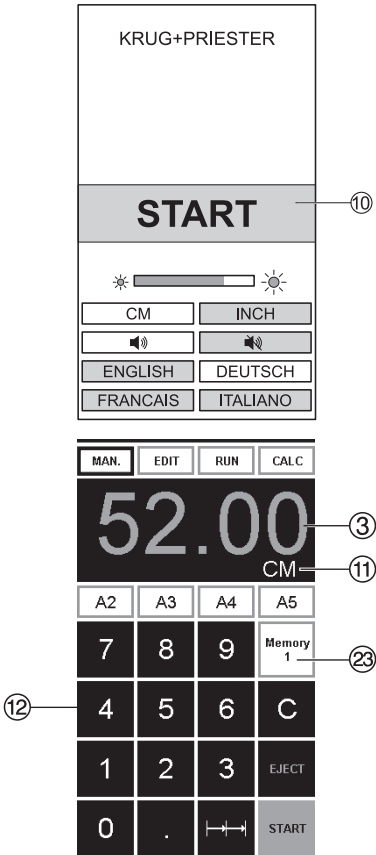
Cutting activation:

Press both actuators of the two-handed control system (A) simultaneously and keep pressed until the paper is completely cut.



To interrupt or stop cutting:

To interrupt or stop cutting, release both actuators (A) of the two-handed control.



Start machine

- Main switch (4) to position "I", insert the key (6) for the control panel and turn to the right. Start screen appears
The following functions are changeable:
Brightness
CM/INCH
Touchtone ON/OFF
Language
- Press **START** (10) → backgauge (7) moves to the rear and searches for the reference position, wait until a measurement is shown in the display (3)
4855 = 45.00 cm, 17.717 inches
5255 = 52.00 cm, 20.472 inches
6655 = 61.00 cm, 24.016 inches
- The DIN and free programmable measurements are recallable with the respective buttons (23).
Memory 1: A2, A3, A4, A5,
Memory 2: A6, A7, B3, B4
Memory 3:

--	--	--	--

Memory 4:

--	--	--	--

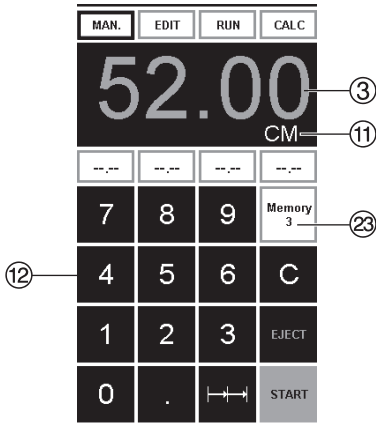
and in inch
Memory 1: 4 ¼", 5 ½", 7", 8 ½"
Memory 2: 11", 12", 14", 17"
Memory 3:

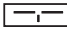
--	--	--	--

Memory 4:


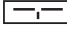
--	--	--	--

Operation




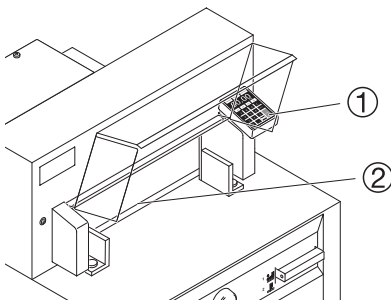
In memory 3 + 4 (mm and inch) no measurements are saved. Until a first input of data the following will be shown in the corresponding fields: 
The measurements entered remain stored. They cannot be deleted but overwritten.

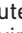
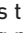

How to program Memory 3 and 4

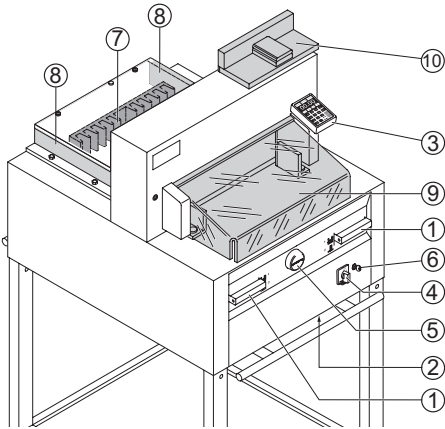
Press the memory button  to enter the memory platform (3 or 4). Enter the required measurements or overwrite them. Press the  button and keep it pressed until an acoustic signal sounds, the measurements have been saved now.

Warning!

Before storing or cutting a measurement please check if the correct measurement scale (cm or inch) see above is stored. For information on how to store see picture below left. Is shown on the screen see .



After 30 minutes the machine ( ) switches to energy-saving mode. The machine is reactivated by touching the keypad area .



Cutting activation

⚠ Warning!

- Run backgauge to the front for turning the paper stack
- Do not interrupt the upward movement of the blade by performing switching procedures
- Wait until the display is green before activating a cut
- Blade must always be at the top and be covered by the clamp. Do not touch the blade (see safety information on page 34).

⚠ Risk of injury!

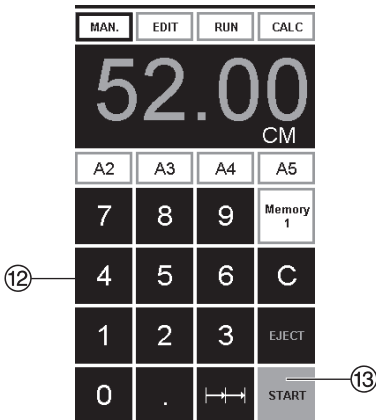
Cutting to specified dimensions

- Press **MAN**
- Enter dimension on the numerical key pad ¹² → Measurement is shown in red (If a wrong dimension is entered this can be corrected by pressing the **C** button)
- Press **START** ¹³ → dimension is approached, → Measurement is shown in green
- Insert paper and move by means of the stacking angle ¹⁰ to the backgauge ⁷ and side lay on the left ⁸
- Close the safety guard ⁹.
- Release the cut.

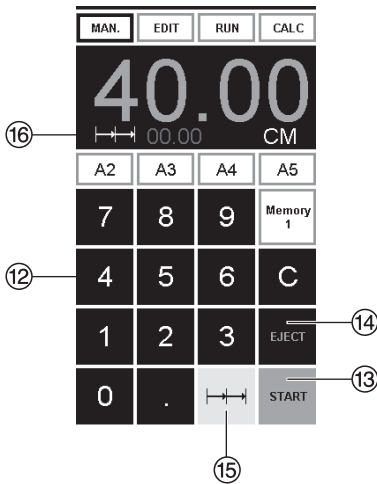
Cut according to markings

Press **MAN**

- Adjust the backgauge with the hand-wheel ⁵ to the back
- Insert paper and move by means of the stacking angle ⁹ to the backgauge ⁷ and side lay on the left ⁸
- Turn the hand-wheel ⁵ to the right until the marking on the paper to be cut is below the cutting line indicator
- The further the hand-wheel ⁵ is turned to the right, the quicker the backgauge moves. If the hand-wheel is turned to the left the backgauge will return quicker.
- Close the safety guard ⁹.
- Release the cut.



Operation



Eject function

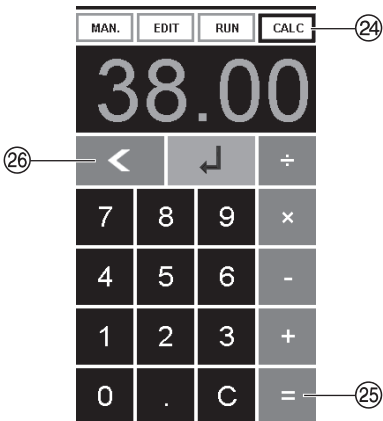
If **EJECT** (14) is pressed instead of **START** (13), after inserting the measurement (12), the backgauge will advance forwards so that paper can be removed. Finally the backgauge moves to the last setting.

Multiple cut

- Enter the start dimension on the display (12)
- Advance to the measurement with the **START** (13)
- Push the paper to the backgauge (7)
- Press multiple cut $\rightarrow \rightarrow$ (15)
- Multiple cut sign appears top left together with the value 00.00 (16)
- Enter multiple cut measurement (appears in red letters)
- Press **START** \rightarrow the backgauge advances by the multiple cut size
- This is repeated everytime a cut is activated.

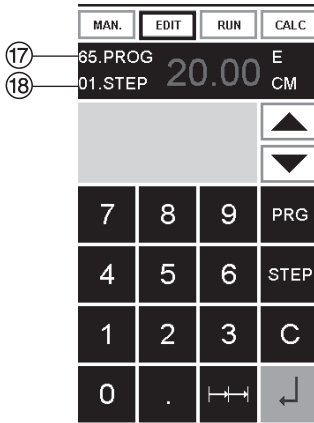
Exiting program-mode

- Press multiple cut $\rightarrow \rightarrow$ (15) (yellow). Multiple cut sign and value are deleted.



Calculator function

- Press **CALC** (24), calculate the desired measurement, e.g. $40 - 2$ \rightarrow \downarrow and the backgauge advances immediately to 38.
- With the key \leftarrow (26) can be changed to manual mode **[MAN.]** at any time.



Programming

This control system enables you to store 99 programs with 99 programmable steps. One step represents one measurement. After entering the program numbers you are able to change between several program steps with the button and .

First figure on display = program number.
Second figure on display = program step.

Smallest cutting measurement

4855 3.50 cm / 1.378 inch
5255 3.50 cm / 1.378 inch
6655 2.50 cm / 0.984 inch

Each program step corresponds to one dimension. The indicated program step can be overwritten at any time. These programs remain stored when the machine is off.

Entering a program

- Press → "Load program no." appears
- Enter program number 01 ... 99, with (Top number on display = program number)
- If measurement is shown on the display the program is reserved, select another program
- Program step "01 Step" 00.00 appears. (Second figure on display = program step.)
- Enter dimension, or move the backgauge to the desired measurement with the hand-wheel
- Store the measurement , next program step appears.
- Enter the next measurement and with Enter store the measurement etc.
- Should the entered program be required immediately → press
- Press Enter
- Press
- Escape the program mode press .

Cancel a program

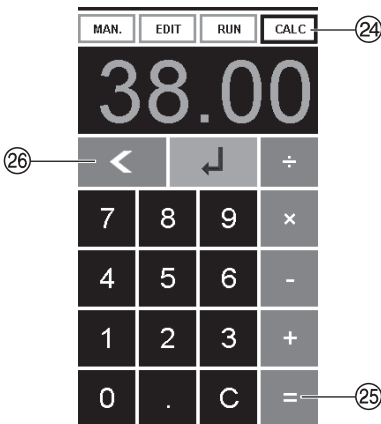
- Press
- Scroll with until → "Delete program no." appears
- Enter Program number
- Press Enter
- Press Enter .

Operation



Calculator function in programming

- Press **EDIT**
- Enter program number
- Enter the 1st program step e.g. start-up measurement 40 cm
- Store the measurement with enter ↵
- Press **CALC** ⑳, calculate the desired measurement e.g. $40 - 2$ ㉑ → ↵, the calculated measurement 38 ㉒ flashes.
- Pressing the Enter-key ↵ again, the calculated measurement is saved in the corresponding step.
- With the key **EDIT** it can be changed to programming **EDIT** at any time.





Adapting a program when the printer's imprint deviates

- Press **RUN** → "Load program no." appears
- Enter program number 01 ... 99, and with 2 x Enter ↵ proceed to Step 1
- Correct the cutting position of the backgauge with the hand-wheel
- **MODIFY** V appears on the screen and the measurement flashes
- To store press **MODIFY**
- Release a cut and turn the paper
- If the printer's imprint deviates it can be corrected during the first two cuts via the hand-wheel – see above
- Correction is only possible during the first two cuts
- After leaving the **RUN** mode the original data is stored again.

Delete a step

- Press **EDIT**
- Enter program number, confirm with Enter ↵
- Select program step with the arrow keys ▲ and ▼
- Scroll with STEP until "Delete step no." appears, Press 2 x Enter ↵.

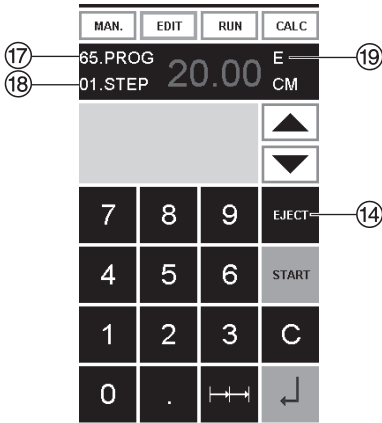
Insert a step

- Press **EDIT**
- Select a program, confirm with Enter ↵
- Scroll with STEP until "Insert step no." appears
- Enter insert position e.g. 02
- Confirm with Enter ↵
- Enter a measurement
- Store the measurement with ↵
- The cutting position can be shown on the screen with the arrow keys ▲ and ▼.

Changing a program step

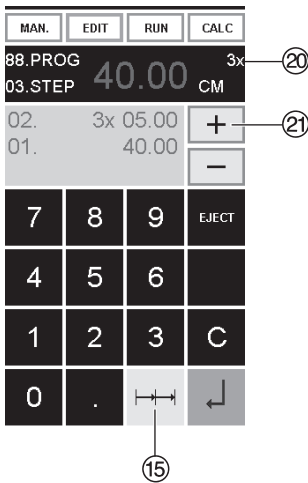
- Press **EDIT**
- Select a program, confirm with Enter ↵
- Scroll with STEP until "Load step no." appears
- Enter step position e.g. 03
- Confirm with Enter ↵
- Enter a new measurement, Store the measurement with ↵.

Operation



Eject function program

- If a short measurement e.g. 30 cm and then a long measurement e.g. 40 cm is cut at the start of a program then it is wise to insert an **EJECT** ¹⁹ after the first cut so that the paper is pushed to the front.
- The **EJECT** function can be added each time a measurement is entered and ejects before advancing to the next measurement. When the eject function is programmed an "E" ¹⁹ appears top right in the display.
- Inserting an Eject function subsequently in the program. Select a program and advance to the step to be changed with the arrow keys \uparrow and \downarrow . Enter the new measurement and before activating the enter button \downarrow press **EJECT** ¹⁴.



Example of a program eject function

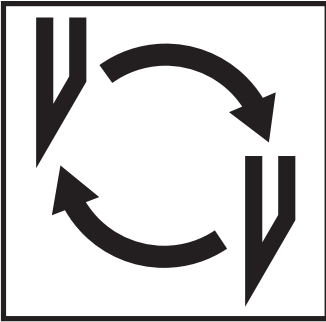
- Press **EDIT**
- Enter program number e.g. 08
- Press Enter \downarrow
- 1. Enter program Step e.g. 30 cm
- Press Enter \downarrow
- 2. Enter program Step e.g. 40 cm
- Press **EJECT** and with Enter \downarrow store the dimension.

How the example works

- Press **RUN**
- Enter program number 08
- Press Enter \downarrow
- Press **START**, Measurement is approached
- Insert paper
- Release cut 1
- Eject (Ejection is completed, turn the paper)
- The backgauge moves to program step 2
- Release cut 2

Multiple cut program

- Press **EDIT**
- Enter program number
- Enter the 1. program step e.g. start-up measurement 40 cm
- Store the measurement with Enter \downarrow
- Press the multiple cut symbol $\text{---} \updownarrow \text{---}$ ¹⁵
- Enter the number of cuts ²⁰ with the + button ²¹ (max. 15 cuts) followed by the multiple cut size (cutting width).
- Store with Enter \downarrow .



If the cutting quality decreases:

- Check the cutting depth (see page 34).
- Check the cutting stick (see page 30).
- Replace or grind the blade (see page 26 - 34).

The blade cannot be ground if the blade height is less than 83 mm / 3,29 inches.

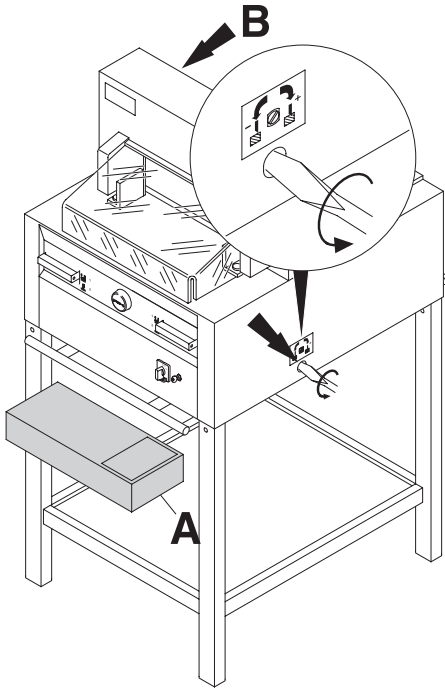
A new blade must be used.

The blade may only be ground by a qualified supplier or from the manufacturer Krug & Priester, D-72336 Balingen.

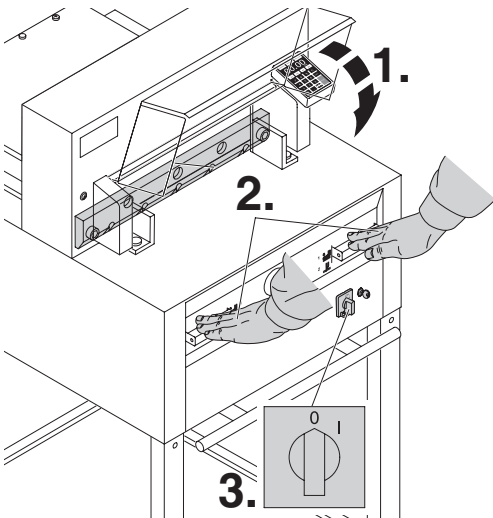
⚠ Danger! Risk of injury!

The blade is extremely sharp. Do not extract or transport the blade without protection. Changing the blade may only be performed by trained staff.

Blade and cutting stick replacement

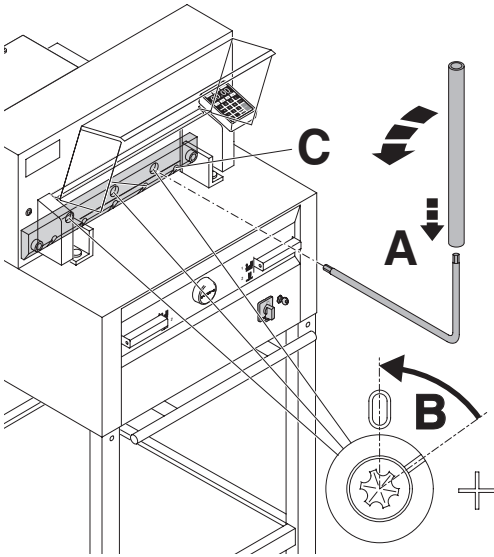


Turn the blade depth adjustment screw to the left until it stops. (Screwdriver found in tool set (A)) or tool holder (B).



Close the safety guard (1.). Lower the blade by pressing both cutting actuators (2.). Keep one actuator pressed and turn off the main switch (3.).

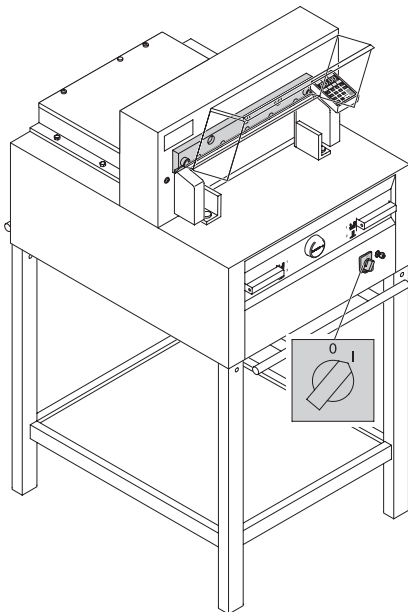
Blade and cutting stick replacement



The 3 eccentrics are now exposed and should be turned counter clockwise to position "0" with the special wrench and attachable extension pipe (A) (in the tool set). The slot must correspond to position "0" (B).

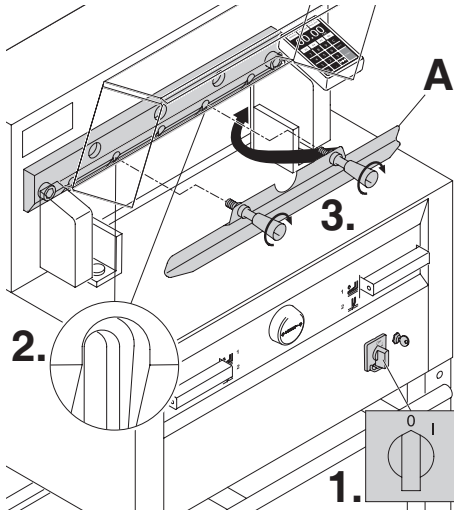
Only 4855

Unscrew the blade screws (C) on the right hand side.

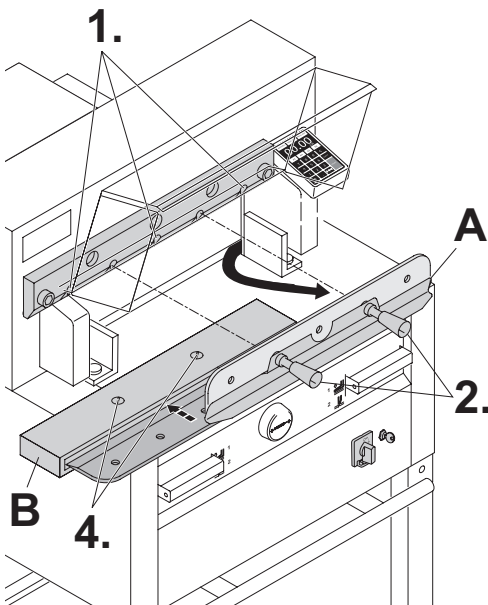


Remove the special wrench. Close the safety guard, and turn on the main switch until the blade returns to the home position.

Blade and cutting stick replacement

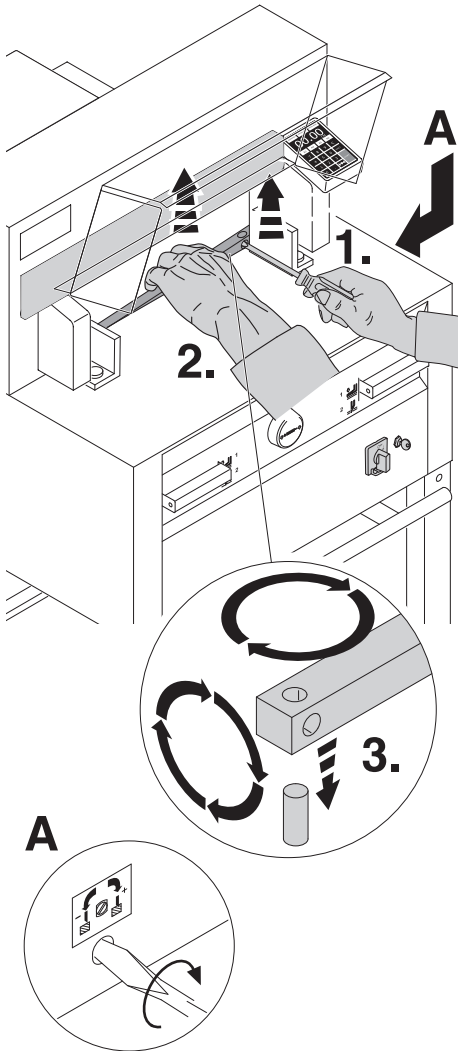


Position the main switch to "0" (1.)
Remove the 2 blade screws on the elongated holes (2.). Then put the blade changing tool (A) into place and fasten it to the blade (3.).



Remove 2 blade screws (1.)
4855 and 3 blade screws (1.)
5255, 6655.
Loosen the grips (2.) of the blade changing tool (A) lightly and allow the blade to be taken downwards out of the machine (3.). Place the blade into the blade carrier (B) and screw it into place (4.).

Blade and cutting stick replacement



Take out the cutting stick with a small screwdriver. If needed the cutting stick can be turned or exchanged. (The cutting stick can be used eight times).

Replacing the cutting stick (not the blade).

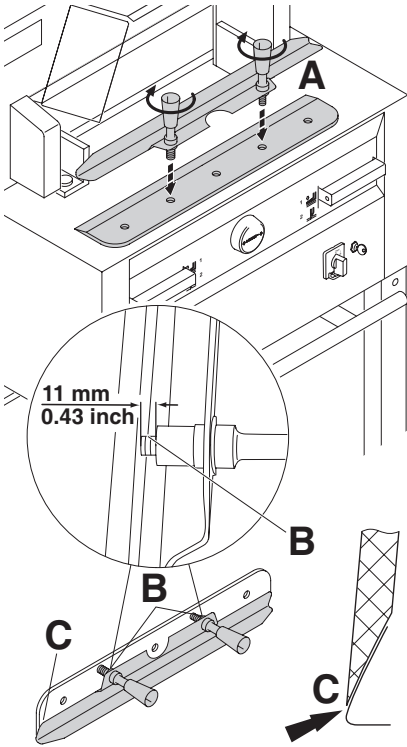
- Turn the blade adjusting screw (A) to the left until it stops. (Otherwise the first cut will be too deep).
- Remove the cutting stick according to top picture.
- Turn the cutting stick (the non-used side must be near to the blade) and plug it into the holding bolt.

⚠ Danger! Risk of injury!

Cutting test after replacing the cutting stick (not the blade)

- Insert the paper and release the cut.
- If the last sheet of paper is not cut along the entire length turn the blade adjusting screw (A) $\frac{1}{4}$ turn to the right.
- If the last sheet is still not completely cut repeat this process until the last sheet is cut along the entire length.

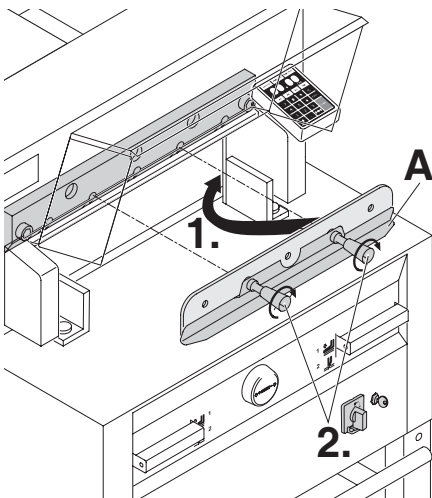
Blade and cutting stick replacement



Take the exchange blade carefully out of the blade box and screw it to the blade changing tool (A).

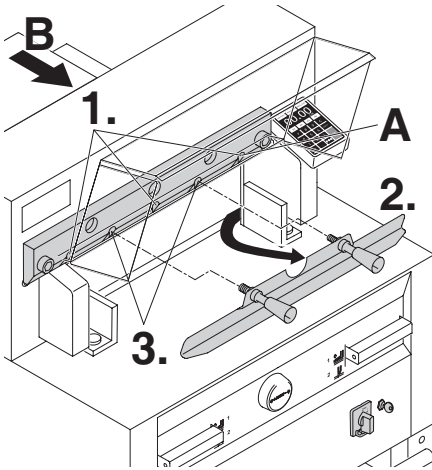
- Make sure there is a space of 11 mm or 0.43 inches! (B).
- Blade must be covered! (C).

⚠ Danger! Risk of injury!



Place the blade to be exchanged with the blade changing tool (A) mounted (1.), into the blade carrier and push it up to the top and screw it into place with the grips (2.).

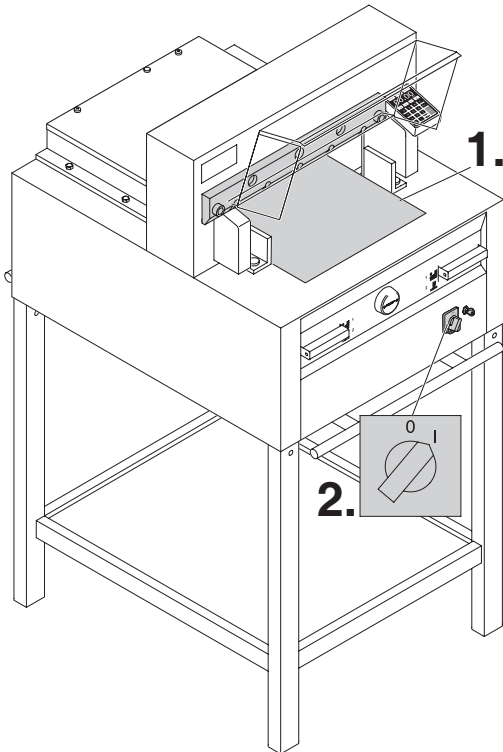
Blade and cutting stick replacement



Lightly tighten 3 (4855 has 2) of the 5 blade screws (1.).
Remove the blade changing tool (2.).
Lightly tighten the remaining blade screws (3.).
Return blade changing tool to tool holder (B).

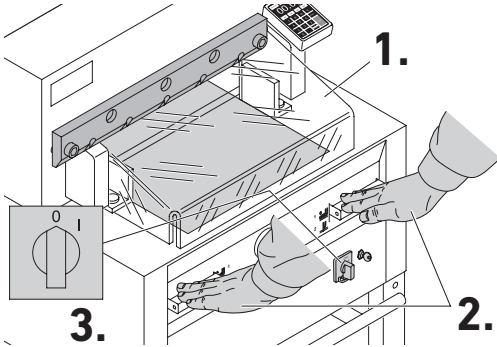
Only 4855

Lightly screw in the right blade screw (A) when the blade is lowered.

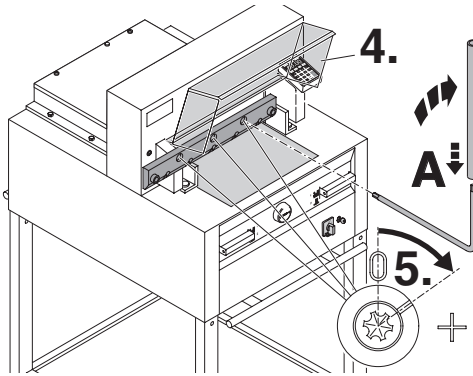


Remove all tools and distribute paper along the entire cutting length (1.).
Turn main switch to position "I" (2.).

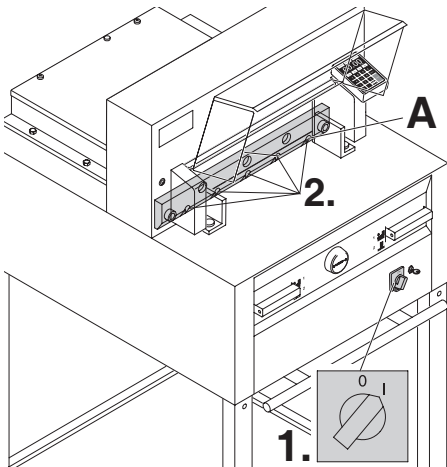
Blade and cutting stick replacement



Close the safety guard (1.). Lower the blade by pressing both cutting buttons (2.). Keep one button pressed and turn off the main switch (3.).

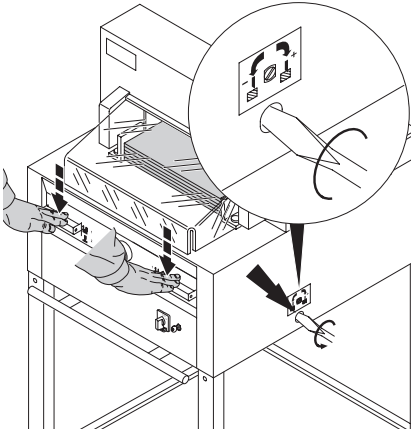


Open the safety guard (4.). With the special wrench (B) the 3 eccentrics should be screwed down (5.) until the paper is cut along the entire length of the blade (The blade must remain parallel, not too deep into cutting stick).



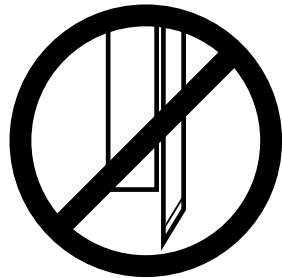
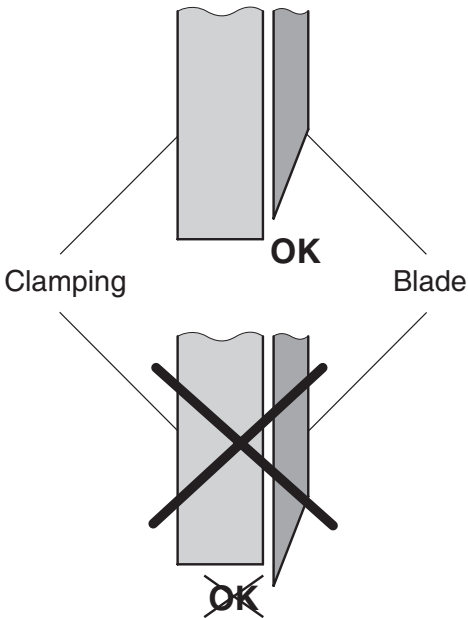
Turn main switch to position "I" (1.). Blade will return to upper position. Tighten the blade screws (2.) firmly.

Blade and cutting stick replacement

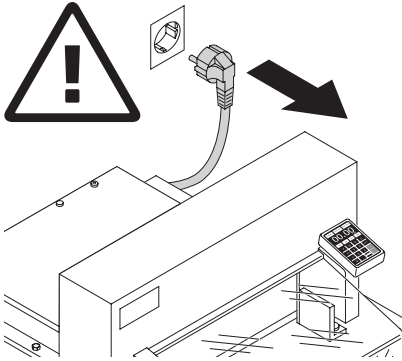


Paper cutting test. If the last sheet or several sheets are not completely cut, gradually turn the knob for blade depth adjustment (A) $\frac{1}{4}$ turn to the right until the paper is cut along the entire length. Do not set too low as blade will become blunt sooner.

⚠ Danger by blade replacement!
Blade must always be covered by the pressing bar (see picture below at the left).



Maintenance and cleaning



⚠ Danger! Disconnect the mains before starting any service work or before removing the cover.

Maintenance work may only be performed by trained staff.

Grease the backgauge (A) control weekly with a grease gun (use special grease for cutting machines). Advance the backgauge as far as possible to the front.

Grease the remaining parts twice a year (see picture).

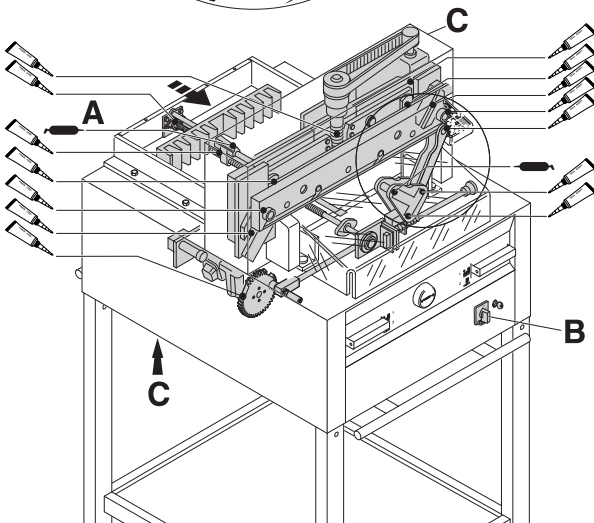
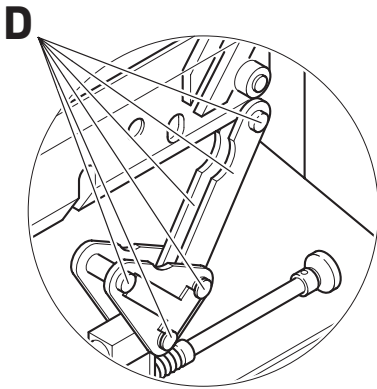
The main switch must be on "0" (B).

Remove lower panel (C).


Tools in tool set or tool holder.

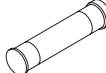
- Remove any paper.
- Grease the machine.
- Check the 4 joining bolts and 2 pushing bars for wear (D). If necessary inform your service personnel.
- Mount the machine.

With more than 5 hours of use per day, the service must be performed more often.

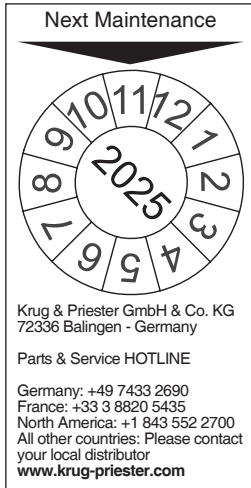


 /  = Greasing points on the machine.

 No. 9000 625

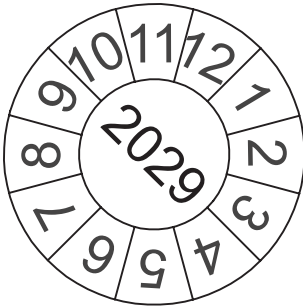
 No. 9800 933

 No. 9001 828



Annual inspection

To maintain the operational safety and to prevent premature wear, we recommend an annual inspection and maintenance of the machine by a qualified service technician.



Safety test

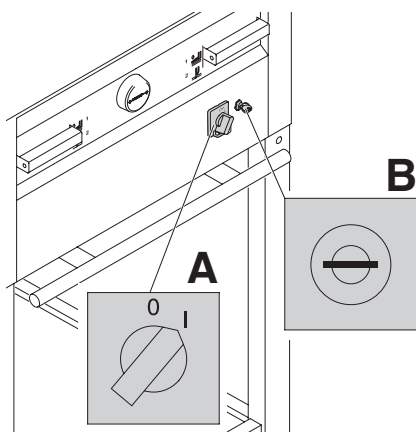
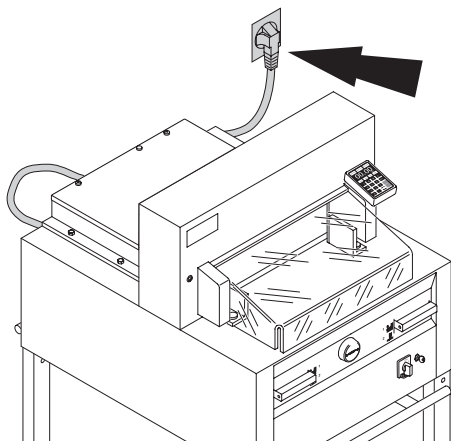
The safety regulations are according to the regulations of the country where the cutting machine is operated. The manufacturer recommends a safety check is made every 5 years by an authorised service team.

Possible malfunctions



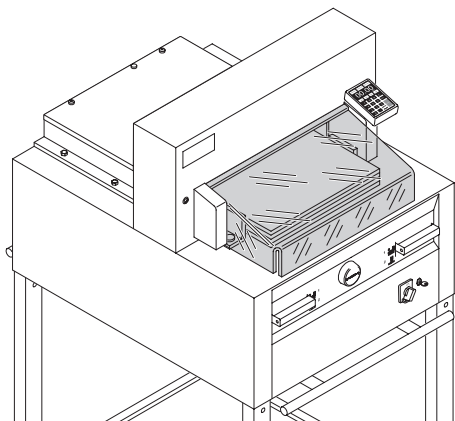
Machine does not function!

Is the machine plugged in?



Main switch to position "I"? **(A)**
Control system activated? **(B)**
(Turn key to the right)
Release a cut see page 17.

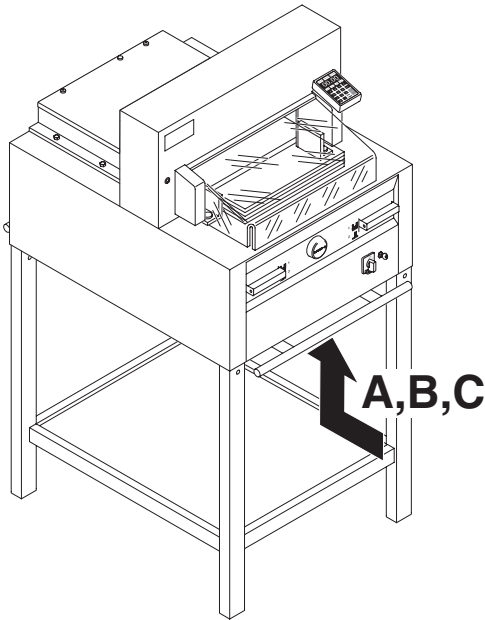
Possible malfunctions



Cut cannot be made.

- If cover is open:
close it.
- If cover is closed:
open and re-close it. (Security check).

Possible malfunctions



Machine turns off:

- Machine overloaded.
Safety button (A) or (B) ejects.
(Allow 1 minute cooling time and reset the safety button (A) or (B).
- Machine blocked.
Blade is blunt.
Eliminate the cause, and push the safety button (A).
- Backgauge blocked
Safety button (C) ejects.
Eliminate the cause, and push the safety button (C).

Safety button for:

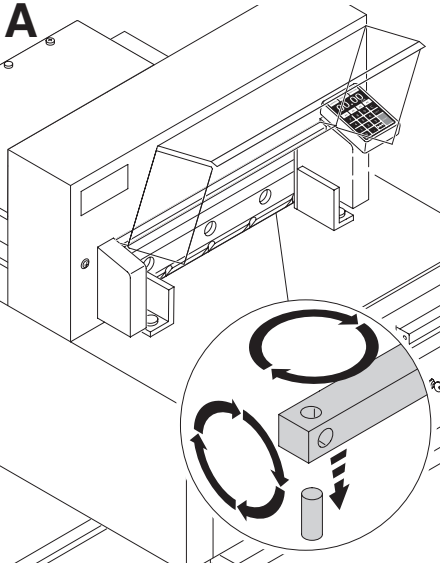


A = Blade drive

B = Clamping drive

C = Backgauge drive

Possible malfunctions

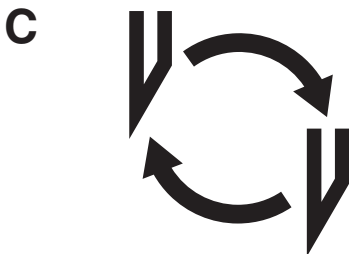
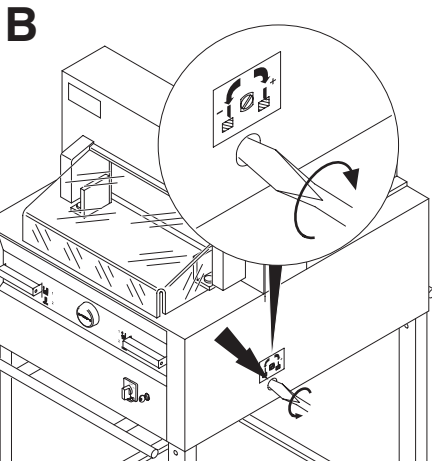


Does not cut through the last sheet:

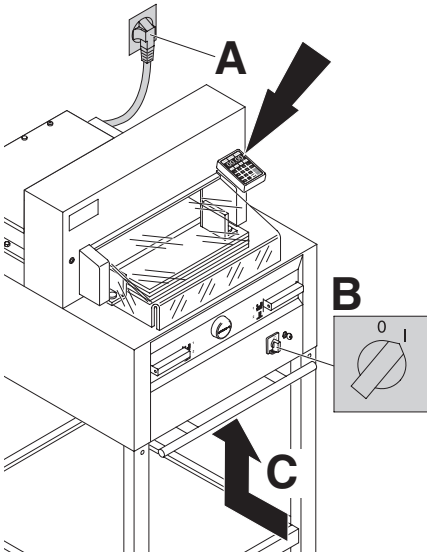
- Turn or turn around the cutting stick (A), readjust the blade by means of the blade adjusting knob (B) (see page 34).

Poor cutting quality or blade stays in the paper stack.

- Change the blade (C) (see pages 26 - 34).



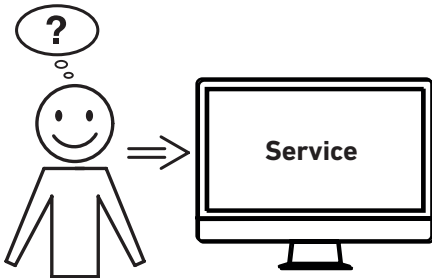
Possible malfunctions



Display illumination off

- Machine is plugged in? (A)
- Main switch on position "I"? (B)
- Push in the safety button! (C)
- Check the units fuse and the on-site circuit breaker!

After 30 minutes the screen switches to energy-saving mode
The screen is reactivated by touching the keypad area ⑫.

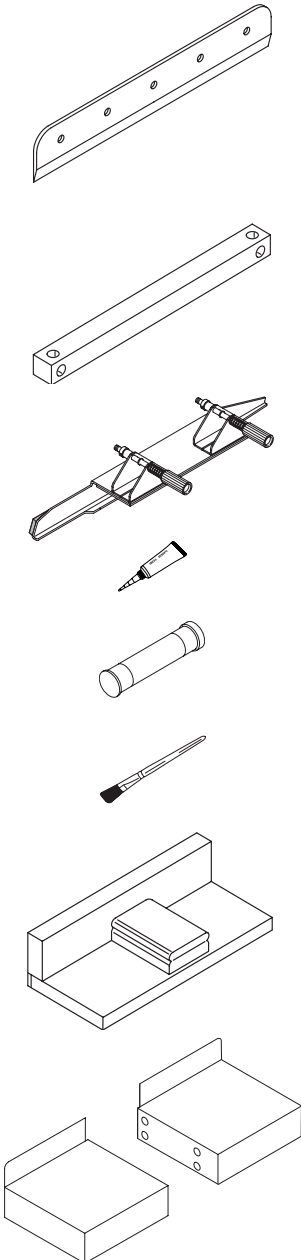


Motor runs but blade does not move downwards.

- Security brake has been activated!
Inform the Service Team!

Did none of the specified solutions help you with your problem?

- Contact: Service
- www.krug-priester.com
 - service@krug-priester.com



Recommended accessories:

Blade

- No. 9000 021 4855
- No. 9000 130 5255
- No. 9000 025 6655

HSS - Blade

- No. 9000 126 4855
- No. 9000 131 5255
- No. 9000 135 6655

Cutting stick (6 pieces)

- No. 9000 022 4855 (red)
- No. 9000 303 4855 (grey)
- No. 9000 024 5255 (red)
- No. 9000 305 5255 (grey)
- No. 9000 026 6655 (red)
- No. 9000 306 6655 (grey)

Blade changing tool ¹

- No. 9000 523 4855
- No. 9000 524 5255
- No. 9000 526 6655

Grease tube ¹

- No. 9000 625

Grease cartridge

- No. 9800 933

Brush

- No. 9001 828

Paper knock-up block ¹

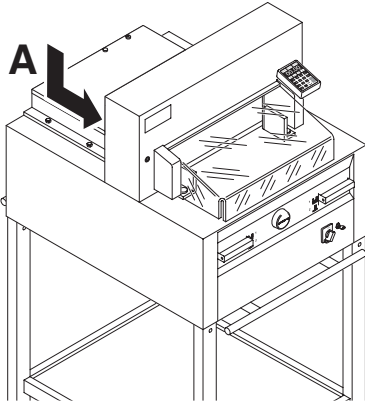
- No. 9000 521

Side tables left and right

- No. 9000 528

¹ Included in delivery

Technical data



Technical data:

- Power supply: 230V/50Hz/1~, 120V/60Hz/1~
- Cutting height: 80 mm
- Leakage current < 3,5mA
- Power cord gauge min. 1,5mm² (230V)
- Power cord gauge AWG 12 (20A) (120V)

The exact technical specifications can be found on the technical specifications sticker (A) on the machine. A wiring diagram is found in the electrical switch box.

To claim under guarantee, the machine must still carry its original identification label.

	Cutting-length mm	Table-depth mm	Minimum space requirement (W X D X H) mm	Weight kg
4855	475	450	762* x 992** x 1296	228***
5255	520	520	860* x 1120** x 1293	252***
6655	650	610	992* x 1220** x 1293	302***

* with side tables: (Width)
4855 1349 mm

** with side tables: (Depth)
4855 992 mm

* with side tables: (Width)
5255 1436 mm

** with side tables: (Depth)
5255 1120 mm

* with side tables: (Width)
6655 1565 mm

** with side tables: (Depth)
6655 1220 mm

*** with side tables: 4855 237 Kg

*** with side tables: 5255 261 Kg

*** with side tables: 6655 311 Kg

Technical data



I.T.E. Listed 802 D



This machine is approved by independent safety laboratories and is in compliance with the EC-regulations 2006/42/EG and 2014/30/EG.

Sound level information:

Sound measurement to EN 13023 :
72,5 db (A)

Subject to alteration without notice.



The company Krug + Priester has the following certifications:

- Quality management system according to DIN EN ISO 9001
- Environmental management system according to DIN EN ISO 14001
- Energy management system according to DIN EN ISO 50001

EC-declaration of conformity

EC-declaration of conformity

- Herewith we declare that

	GS-ID No.	UL-ID No.
4855	11485501	10485002
5255	11525501	10522102
6655	11665501	10655002

- complies with the following provisions applying to it

2006/42/EG:

EC Machinery directive

2014/30/EG:

EMV Electromagnetic compatibility directive

2011/65/EU, 2015/863/EU

RoHS directive

- Applied harmonised standards in particular

**EN 60204-1; EN 1010-1; EN 1010-3; EN 55014-1; EN 55014-2;
EN 61000-3-2; EN 61000-3-3; EN ISO 12100; EN 61496-1; EN 61496-2;
EN ISO 13857; EN ISO 11204; EN 13023; EN ISO 13849-1;
BS EN 60204-1; BS EN 1010-1; BS EN 1010-3; BS EN 55014-1; BS EN 55014-2;
BS EN 61000-3-2; BS EN 61000-3-3; BS EN ISO 12100;
BS EN ISO 13857; BS EN ISO 11204; BS EN 13023; BS EN ISO 13849-1**

11.02.2022

Date

Authorized representative for technical documentation



Krug & Priester GmbH & Co. KG
Simon-Schweitzer-Str. 34
D-72336 Balingen (Germany)

Daniel Priester
- Managing Director -

Remarks:

