

IDEAL 5222 DIGICUT



IDEAL 5222 DIGICUT



- D** Bitte lesen Sie vor Inbetriebnahme der Maschine unbedingt diese Betriebsanleitung und beachten Sie die Sicherheitshinweise. Die Betriebsanleitung muss jederzeit verfügbar sein.
- GB** Please read these operating instructions before putting the machine into operation and observe the safety precautions. The operating instructions must always be available.
- F** Nous vous prions de lire attentivement le mode d'emploi avant d'utiliser la machine, et attirons votre attention sur les consignes de sécurité. Les instructions d'utilisation et les consignes de sécurité doivent toujours être disponibles. Les instructions d'utilisation et les consi.
- NL** Leest u voor de ingebruik name van het apparaat a.u.b. deze gebruiksaanwijzing goed door en neemt u de veiligheidsinstructies n acht. De gebruiksaanwijzing en de veiligheids-voorschriften moeten altijd binnen handbereik zijn.
- I** Per favore legga questo manuale di istruzione prima di mettere in funzione il distruggidocumenti e osservi le regole di sicurezza. Le istruzioni d'uso devono essere sempre disponibili.
- E** Le recomendamos lea las instrucciones antes de poner en funcionamiento esta máquina y cumpla las normas de seguridad. Las instrucciones de servicio y seguridad deben estar siempre disponibles.
- S** Läs igenom denna bruksanvisning innan ni startar maskinen. Var noga med säkerhetsföreskrifterna. Instruktionsmanualen måste alltid finnas tillgänglig.
- FIN** Lue nämä käyttö-ohjeet läpi ennenkuin käynnistät laitteen!
Noudata turvaohjeita. Käyttöohjeiden on oltava aina saatavilla.
- N** Lees gjennom denne bruksanvisningen før De tar i bruk maskinen
Vær oppmerksom på sikkerhetsforskriftene. Operatørmanualen må alltid være tilgjengelig.
- PL** Proszę uważnie przeczytać instrukcję obsługi przed uruchomieniem urządzenia i stosować się do przepisów bezpieczeństwa. Instrukcje obsługi muszą być zawsze dostępne.
- RUS** Пожалуйста, прочитайте инструкцию по эксплуатации перед установкой аппарата, соблюдайте технику безопасности. Инструкция по эксплуатации должна находиться в доступном для пользователя месте.
- H** A gép üzembe helyezésé előtt figyelmesen olvassa el a kezelési utasítást és tartsa be a biztonsági előírásokat. A kezelési utasításnak mindig elérhetőnek kell lennie.
- TR** Lütfen makineyi çalıştırmadan önce bu kullanma talimatlarını dikkatli bir şekilde okuyunuz ve belirtilen güvenli önlemlerine uyunuz. Kullanma Talimatları her zaman kullanıma hazır olmalıdır.
- DK** Før installation af maskinen bedes De venligst læse brugervejledningen brugervejledningen og være opmærksom på sikkerhedsanvisningerne.
Brugervejledningen skal altid være tilgængelig.
- CZ** Prosím přečtěte si instrukce k obsluze a dodržujte bezpečnostní upozornění. Návod k obsluze musí být vždy dostupný.
- P** Por favor leiam o manual de instruções antes de colocar a máquina em operação e vejã as precauções de segurança. As instruções de operação deverão estar sempre disponíveis.
- GR** ΠΑΡΑΚΑΛΩ ΔΙΑΒΑΣΤΕ ΤΙΣ ΟΔΗΓΙΕΣ ΧΡΗΣΕΩΣ ΚΑΙ ΤΙΣ ΠΡΟΦΥΛΑΞΕΙΣ ΑΣΦΑΛΕΙΑΣ ΠΡΙΝ ΒΑΛΕΤΕ ΤΟ ΜΗΧΑΝΗΜΑ ΣΕ ΛΕΙΤΟΥΡΓΙΑ. ΟΙ ΟΔΗΓΙΕΣ ΧΡΗΣΗΣ ΠΡΕΠΕΙ ΝΑ ΕΙΝΑΙ ΠΑΝΤΑ ΔΙΑΘΕΣΙΜΕΣ.
- SLO** Prosimo preberite navodila za uporabo ter upoštevajte varnostna opozorila preden zaženete napravo. Navodila naj bodo vedno pri roki.
- SK** Starostlivo si preštudujte tento návod na obsluhu pred uvedením stroja do prevádzky a najmä bezpečnostné predpisy. Držte tento návod na obsluhu na dostupnom mieste.
- EST** Palun lugege enne masina käivitamist käesolevat kasutusjuhendit ning järgige ohutusnõudeid. Kasutusjuhend peab alati käepärast olema.
- CHI** 使用機器前，請閱讀此操作指引，並留意安全守則
操作手冊必須是經常可用的。
- UAE** والامان الوقاية تعليمات ملاحظة نرجو كما الماكينة بتشغيل البدء قبل التشغيل تعليمات قراءة نرجو ا لا بد من وجود تعليمات التشغيل دائما



- D** Keine Bedienung durch Kinder!
GB Children must not operate the machine!
F Pas d'utilisation par un enfant!
NL Geen bediening door kinderen!
I Non lasciare utilizzare il tagliacarte a bambini!
E No dejar que la utilicen los niños!
S Installera maskinen utom räckhåll för barn!
FIN Asentakaa laite lasten ulottumattomiin!
N Installer maskinen utenfor rekkevidde for barn!
PL Dzieciom nie wolno obsługiwać urządzenia!
RUS Не допускайте детей к пользованию аппаратом!
H Gyerekek a gépet nem kezelhetik!
TR Makinayı Çocuklar Kullanmamalıdır!
DK Må kun betjenes af voksne!
CZ Stroj nesmí být obsluhován dětmi!
P As crianças não devem trabalhar com a máquina!
GR ΑΠΑΓΟΡΕΥΕΤΑΙ Η ΧΡΗΣΗ ΑΠΟ ΠΑΙΔΙΑ!
SLO Otroci ne smejo uporabljati naprave!
SK So strojom nesmú pracovať deti!
EST Lapsed ei tohi masinat kasutada!
CHI 勿让儿童使用机器!
UAE يجب علي الأطفال عدم تشغيل الماكينة.



- D** Nicht unter das Messer fassen!
GB Do not reach beneath the blade!
F Ne pas passer les mains sous la lame!
NL Niet met de handen onder het mes komen!
I Non toccare la lama nella parte inferiore!
E ¡No tocar debajo de la cuchilla!
S Sträck inte in handen under kniven!
FIN Älä laita kättäsi terän alle!
N Plasser aldri hender ol. under kniven!
PL Nie wkładać rąk pod noże!
RUS Избегайте попадания рук под лезвие!
H Ne nyúljon a kés alá!
TR Elinizi bıçağın altına sokmayınız!
DK Stik ikke hænderne ind under knivbladet!
CZ Nesahejte pod ostří nože!
P Não tocar na parte inferior da faca!
GR ΜΗΝ ΑΓΓΙΖΕΤΕ ΤΟ ΚΑΤΩ ΜΕΡΟΣ ΤΗΣ ΛΕΠΙΔΑΣ!
SLO Ne segajte z roko pod rezilo!
SK Nevkladajte ruky pod nôž!
EST Ärge pange kätt tera alla!
CHI 请勿接触刀具的下方。
UAE لا تصل تحت السكين

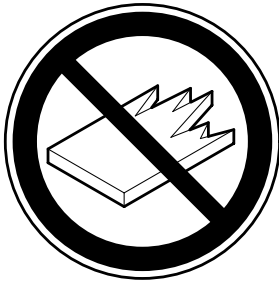


- D** Messer nie lose liegen lassen!
Messer nur mit Messerwechsellvorrichtung oder im Messertransportkasten befördern!
(siehe Seite 29 und 31).
⚠ **Warnung!** Verletzungsgefahr!
- GB** Never leave the blade unattended!
Do not extract or transport the blade without protection!
(See page 29 and 31).
⚠ **Danger!** Risk of injury!
- F** Ne jamais laisser la lame sans protections!
Elle ne doit être démontée qu'à l' aide du dispositif de changement de lame (cf. page 29 et 31), ou transportée dans son étui en bois!
⚠ **Danger!** Risques de coupures!
- NL** Laat nooit de messen alleen achter!
Transporteer de messen niet zonder de houten bescherming (zie pagina 29 en 31).
⚠ **Waarschuwing!** Opgelet voor ongevallen!
- I** Non lasciare mai la lama incustodita. Non rimuovere o trasportare la lama senza protezione. (Vedi pagina 29 e 31).
⚠ **Attenzione!** Rischio di infortunio!
- E** ¡No quitar la cuchilla sin prestar atención. No desmontar no transportar la cuchilla sin protección! (vérase pág. 29 y 31)
⚠ ¡**Advertencia!** ¡Peligro de hacerse daño!
- S** Lämna aldrig maskinen obemannad. Ta inte ur eller transportera kniven utan skydd. (se sid 29 och 31).
⚠ **Skaderisk!**
- FIN** Käsittelle terää aina varoen. Älä siirrä tai kuljeta terää ilman suojaa! (katso sivu 29 ja 31)
⚠ **Loukkaantumisen vaara!**
- N** La aldri kniven ligge ubeskyttet. Ta aldri ut kniven eller transporter den uten beskyttelse (Se side 29 og 31)
⚠ **FARE!** Muligheter for skade!
- PL** Nigdy nie pozostawiać noży bez nadzoru.
Nie wyciągać lub transportować noży bez osłon!
(zobacz strona 29 i 31).
⚠ **Ryzyko skaleczenia sie!**
- RUS** Не оставляйте открытое лезвие без присмотра! Не пытайтесь извлечь или транспортировать лезвие без специальных мер предосторожности!
(См. страницы 29 и 31)
⚠ **Соблюдайте выше перечисленные правила для избежания травм!**
- H** Soha ne hagyja a kést őrizetlenül!
Ne vegye ki vagy ne szállítsa a kést védőtok nélkül!
(Lásd 29. és 31. oldal)
⚠ **Veszély!** Sérülésveszély!
- TR** Bıçağı hiçbir zaman gözetimsiz bırakmayınız!
Bıçağı muhafazasız olarak yerinden çıkartmayınız veya taşımayınız! (Sayfa 29 ve 31'e bakınız)
⚠ **Dikkat!** Yaralanma riski!



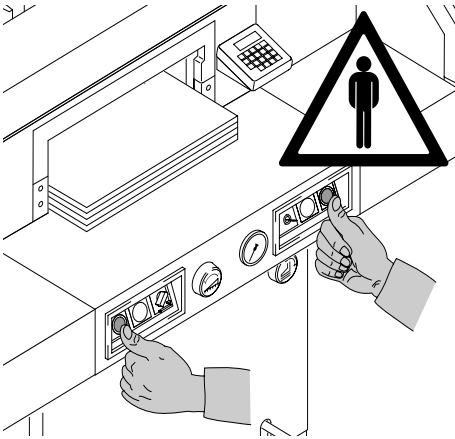
- DK** Knivbladet må aldrig efterlades uden opsyn. Forsøg ikke at afmontere eller transportere knivbladet uden beskyttelse! (Se side 29 og 31)
⚠ **FARE!** Risiko for legemlig beskadigelse.
- CZ** Nikdy nenechávejte nůž bez krytu. Nikdy nevyjímejte nebo nepřevravníte nůž bez ochranného krytu (viz. strany 29 a 31)
⚠ **Nebezpečí!** Riskujete zranení
- P** Deixar a faca sempre em local seguro! Não retire ou transportar a faca sem protecção! (Ver pág. 29 e 31)
⚠ **Perigo!** Risco de dano!
- GR** ΜΗΝ ΑΦΗΝΕΤΕ ΤΗΝ ΛΕΠΙΔΑ ΑΝΕΠΙΤΗΡΗΤΗ! ΜΗΝ ΑΛΛΑΖΕΤΕ Ή ΜΕΤΑΦΕΡΕΤΕ ΤΗΝ ΛΕΠΙΔΑ ΩΡΙΣ ΠΡΟΦΥΛΑΞΗ (Δείτε σχετικά στις σελίδες 29 & 31)
⚠ ΠΡΟΣΟΧΗ! ΚΙΝΔΥΝΟΣ ΤΡΑΥΜΑΤΙΣΜΟΥ!
- SLO** Nikoli ne puščajte rezila nazaščitenega. Nikoli ne prenašajte rezilo brez zaščite. (glej stran 29 in 31).
⚠ **Pozor!** Nevarnost poškodbe.
- SK** Nenechávajte nôž nechránený (nezabezpečený)! Nevyberajte alebo netransportujte nôž bez ochrany (vid s. 29 a 31)
⚠ **Riziko úrazu!**
- EST** Ärge jätke lõiketera kunagi järelevalveta! Ärge pikendage ega teisdaldage tera kaitseseadmeteta! (Vt lk 29 ja 31.)
⚠ **Oht!** Vigastuste oht!
- CHI** 在没人留意的情况下，请勿离开刀具。
在没有保护的情况下，请勿取出或运送刀具！（参阅第 29 和 31 页）。
⚠ 危险！可引致受伤！
- UAE** لا تترك السكين بدون اهتمام
لا تخرج أو تنقل السكين بدون حماية (أنظر صفحة 29 و 31)
⚠ خطر! التعرض للأذى

IDEAL 5222 DIGICUT



- D** Keine harten und splitternden Materialien schneiden!
GB Do not cut hard materials or materials which may splinter!
F La coupe de matériaux trop durs ou risquant des projections est interdite!
NL Snij geen harde materialen of materiaal dat kan splinteren!
I Utilizzare il tagliacarte esclusivamente per il taglio di risme di carta o materiali analoghi!
E ¡No cortar materiales duros o materiales que puedan astillarse!
S Försör inte hårt material eller material som kan splittras!
FIN Asentakaa laite lasten ulottumattomiin!
N Ikke kutt hardt metall eller materiale som kan splintre!
PL Nie ciąć twardych materiałów lub materiałów, które mogą ulec odprysnięciu!
RUS Данный резак не предназначен для резки твердых материалов или материалов, которые могут расщепляться!
H Ne vágjon kemény vagy olyan anyagot, amely repedhet!
TR Sert veya parçalanabilecek malzemeleri kesmeyiniz!
DK Der må ikke skæres i hårde materialer eller i materialer, der kan splintre!
CZ Neřežte tvrdý materiál, při kterém mohou ustřelovat ostré úlomky!
P Não cortar materiais duros ou materiais que possam lascrar!
GR ΜΗΝ ΚΟΒΕΤΕ ΣΚΛΗΡΑ ΥΛΙΚΑ Ή ΥΛΙΚΑ ΠΟΥ ΘΡΥΜΜΑΤΙΖΟΝΤΑΙ!
SLO Nikoli ne režite trdih materialov ali materialov, ki se lahko razcepijo!
SK Nerežte tvrdé materiály, alebo materiály, z ktorých môžu vystrelovať ostré úlomky!
EST Ärge lõigake kõvasid materjale ega materjale, mis võivad pilbasteks puruneda!
CHI 请勿切割坚硬或可裂成碎片物料。
UAE لا تقطع الأشياء الصلبة أو الأشياء التي يتطاير منها شظايا!

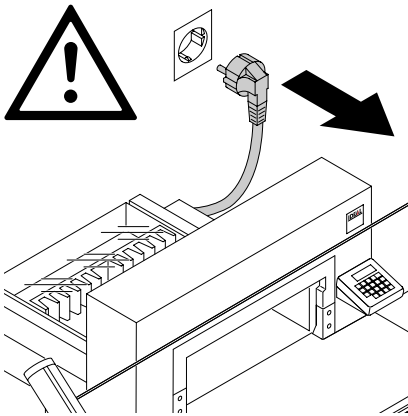
• Safety precautions •



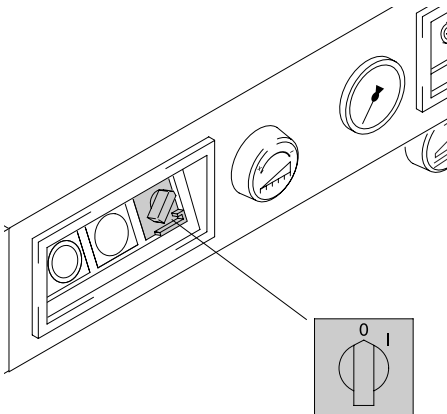
The machine is designed for cutting stacks of paper to a specified size.

This machine is constructed for "one-man operation" only!

⚠ Warning! Clips or similar damage the cutting blade.

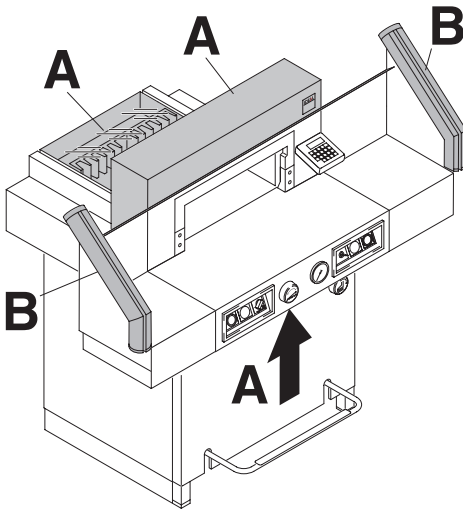


Disconnect from the mains before starting any service work or before removing the panels!



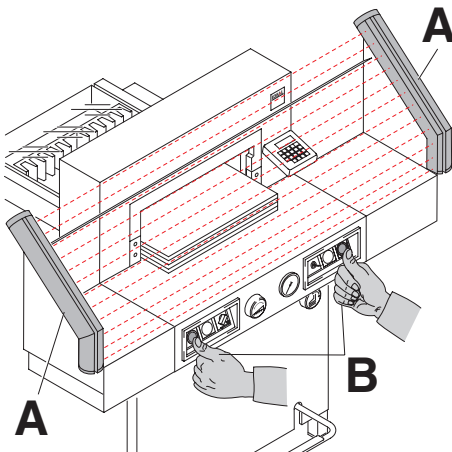
Replacement of blade and cutting stick may be performed only when the main switch is switched off!

IDEAL 5222 DIGICUT

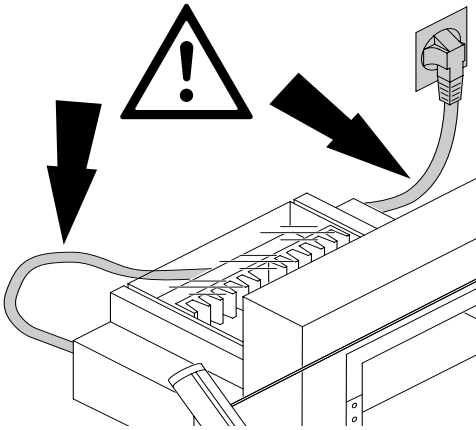


All components which could endanger the operator are covered by a guard (A)! Do not operate the machine without the following safety devices:

- Panels, tightly screwed (A).
- Safety beam guard (B).



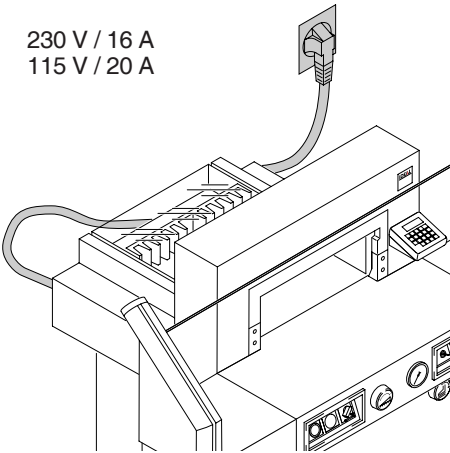
The cutting action, which is dangerous to the operator, is protected by a two-handed control system (A) and safety beam guard (B).



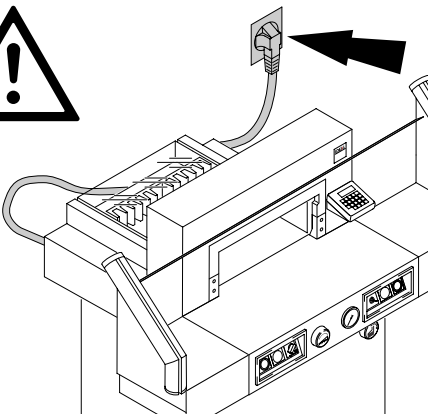
Protect mains cable against heat, oil and sharp edges!

230 V / 16 A
115 V / 20 A

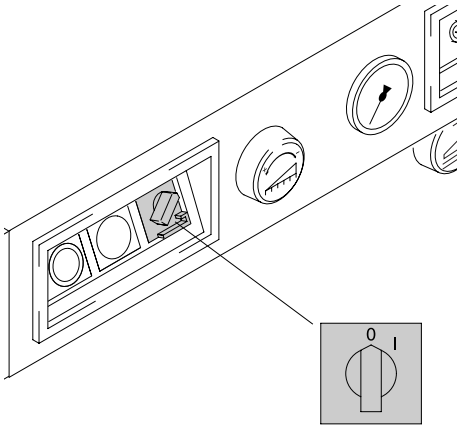
Connect the power cord to a single phase socket.



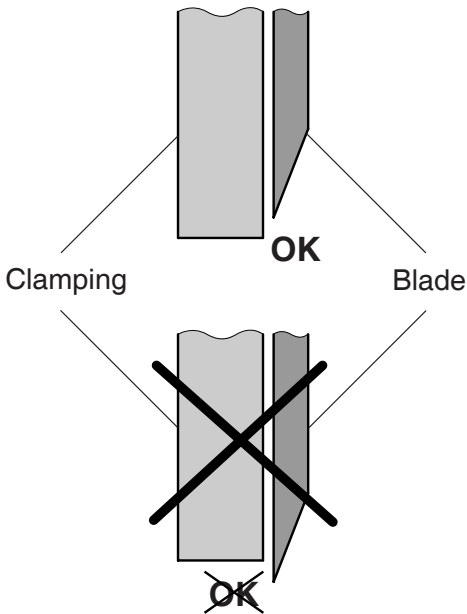
Ensure free access to mains!



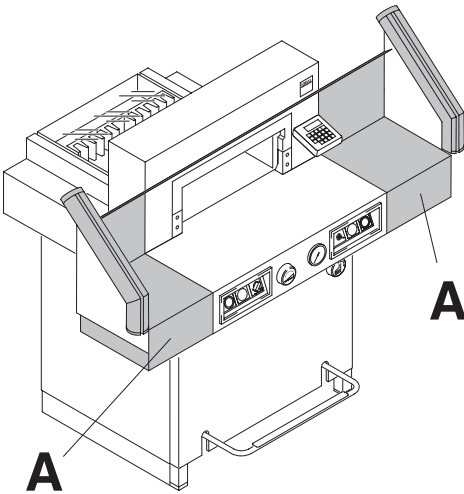
IDEAL 5222 DIGICUT



When not in use for a longer period switch off.
(Main switch to "0").



⚠ Danger!
Blade must always be covered by the
pressing bar



The machine is delivered ready for operation. 4 strong people are required to lift the machine from the pallet. Side tables, left and right, (A) are available as accessories. Attach the side tables to the front table so that the upper surface is level.

Reassemble the safety light beam.

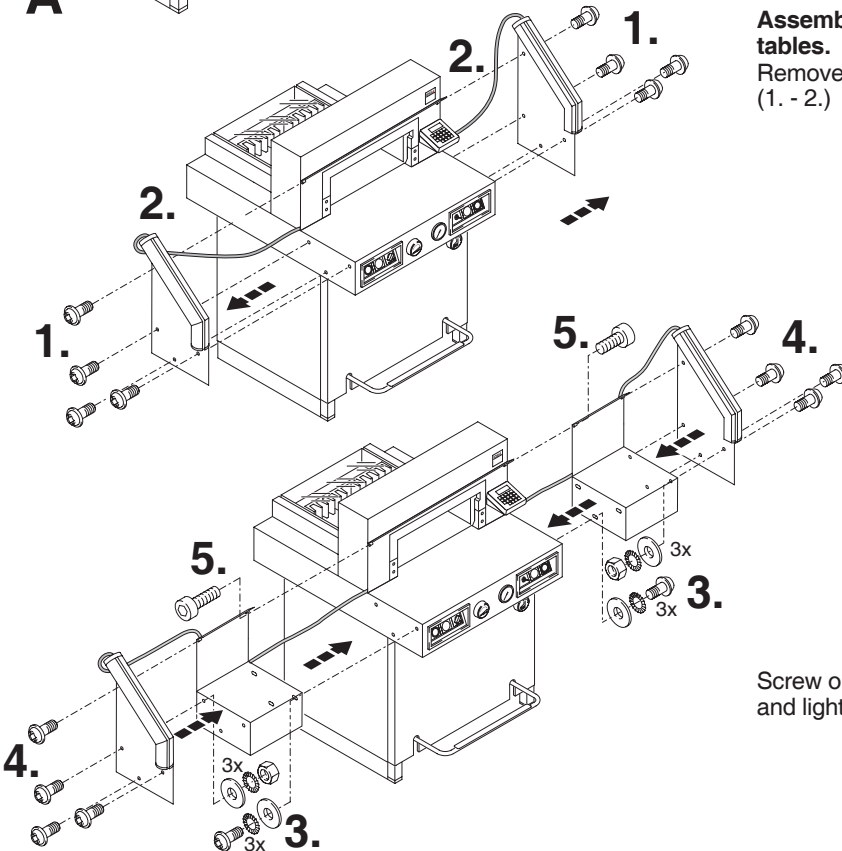
For transport through narrow doors:

- Remove side tables

The width, without light beam and side tables, is 850 mm.

⚠ Danger!

The machine must not be put into operation without the safety light beam.



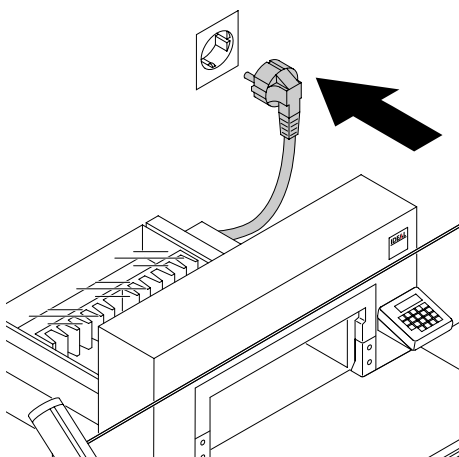
Assemble the side tables.

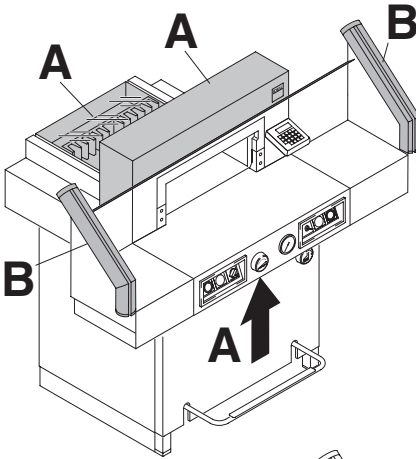
Remove the light beam. (1. - 2.)

Screw on the side tables and light beam (3. - 5.).

IDEAL 5222 DIGICUT

Plug into socket.

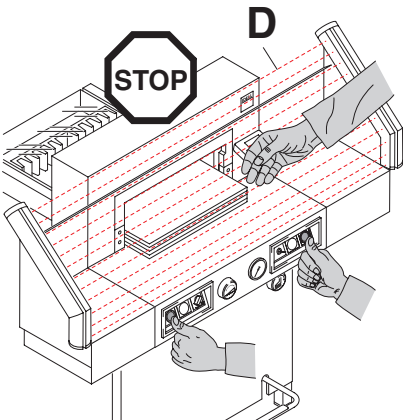
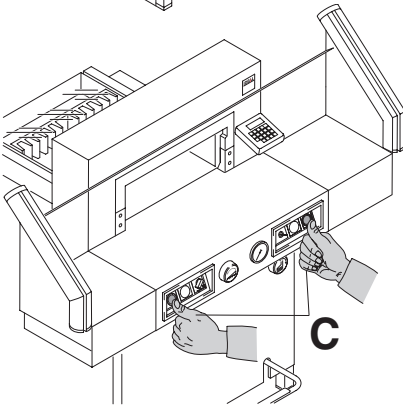




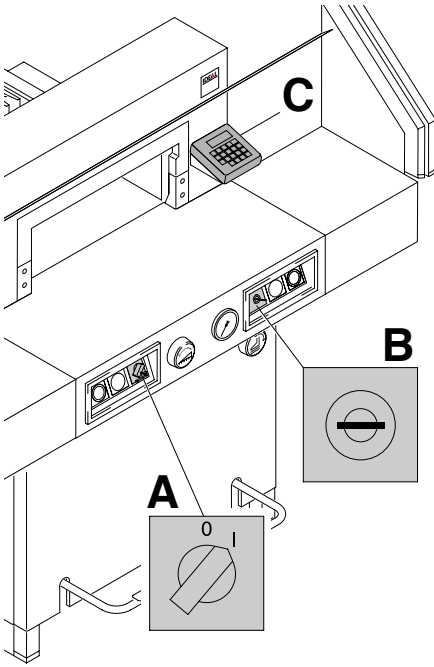
It is forbidden to operate the machine if the operating and safety instructions have not been understood. Please check the safety devices are functioning and complete before use.


- All covers have to be mounted (A).
- Safety beam guard must be mounted (B).
- The release for cutting is allowed only if the two-hand safety device is operated at the same time (C)
- **Safety light beam:**
The machine stops immediately if anyone reaches into the cutting area (D).

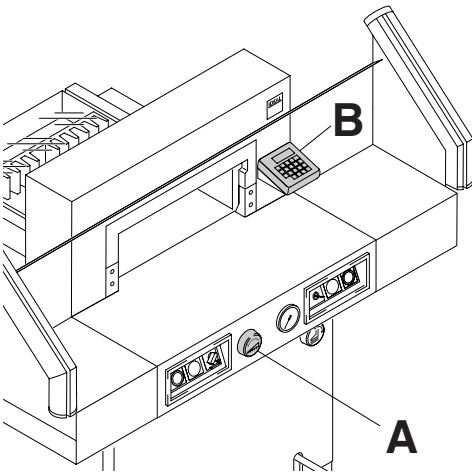
We recommend you keep a record of your test results.



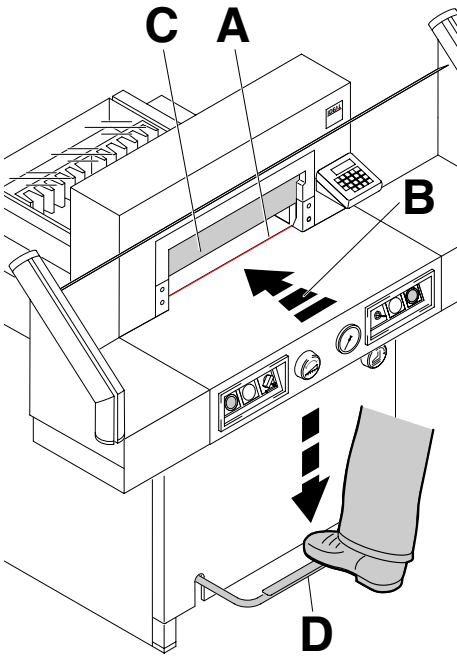
IDEAL 5222 DIGICUT



Position the main switch to "I" (A).
Insert the key for the control system and move it to the right (B).
Press  button (C).
Machine will automatically go to the start position.
The machine is now ready for use.



The measurement is set either with the handwheel (A) or by programming (B) the cutting measurements. Measurement is shown on the display in inches or cm (B).



Optical cutting line indicator:

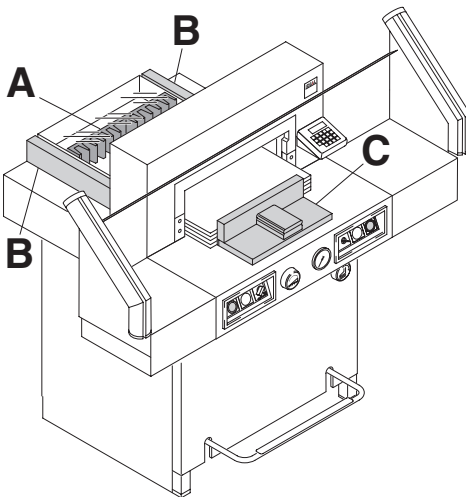
Optical cutting red line (A) that indicates the position of the cut. Blade cuts on the front edge (B) of the light beam.

Mechanical cutting line indicator:

The clamp (C) can be used as cutting line indicator for cutting. When the false clamp is pushed down with the foot pedal "CUT" will appear on the display and the backgauge can only be moved with the hand-wheel.

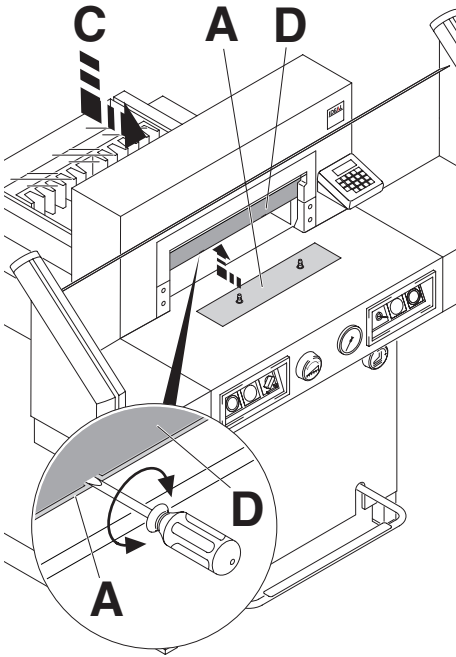
Do not press the paper stack with the foot pedal when the backgauge is in operation.

Only use the optical cutting line indicator and mechanical cutting line indicator when no exact cut is required.



Position the paper on the backgauge (A) and side lays left or right (B). To move paper stacks, please use the paper knock-up block (C) provided. (Run backgauge to the front for turning the paper stack).

IDEAL 5222 DIGICUT



False clamp plate:

A clamp plate (A) is fitted to the machine to prevent pressure marks on sensitive material.

To dismantle:

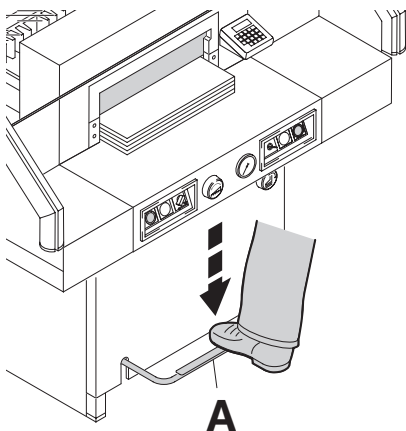
- Remove the clamp plate (A) by turning the screwdriver (found in tool box) in the space between the clamp and clamp plate.
- Store the clamp plate in the provided holder (C) → The remaining cut is 2,2 cm.

⚠ Warning!

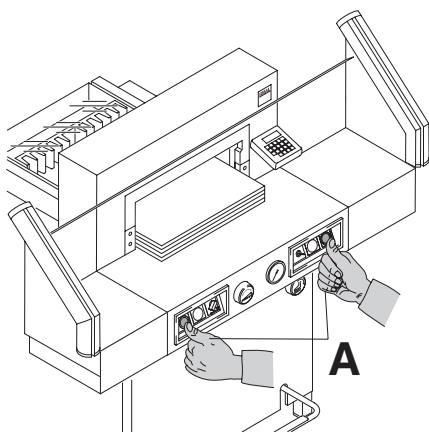
Make sure the false clamp is in the provided holder otherwise measurements below 9 cm cannot be entered.

To mount:

- The clamp plate (A) is inserted to the top into the clamp (D). → The remaining cut with the false clamp is 9 cm. With the handwheel 7cm.



The clamp moves automatically when cutting is activated.
The paper can be pressed in advance, with the foot pedal (A).

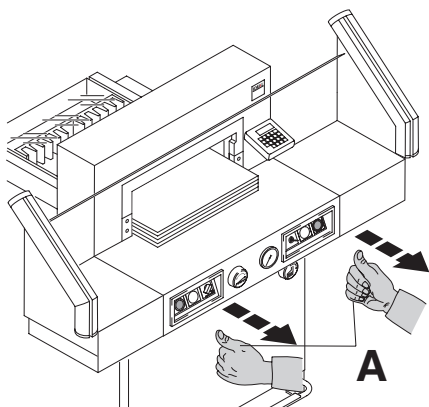


Cutting activation:

Press both buttons of the two-handed control system (A) simultaneously and keep them pressed until the paper is completely cut.

Symbols for Cutting activation:

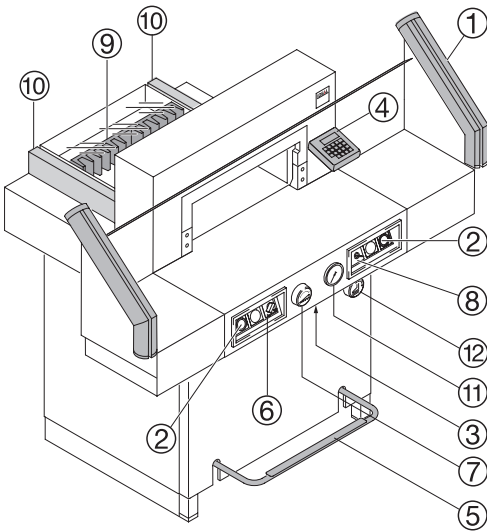
Cutting sequence with automatic clamping.



To interrupt or stop cutting:

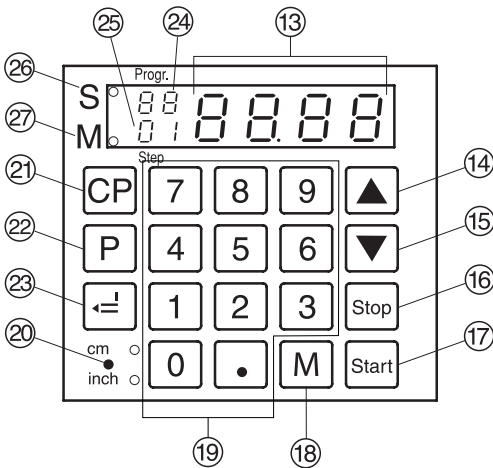
To interrupt or stop cutting, release both buttons (A) of the two-hand control.

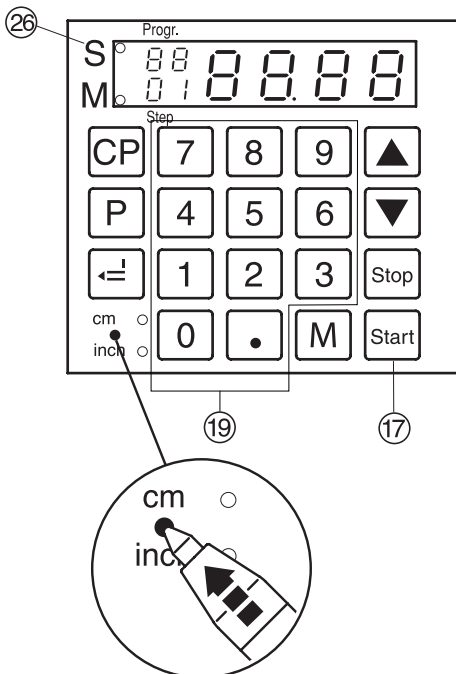
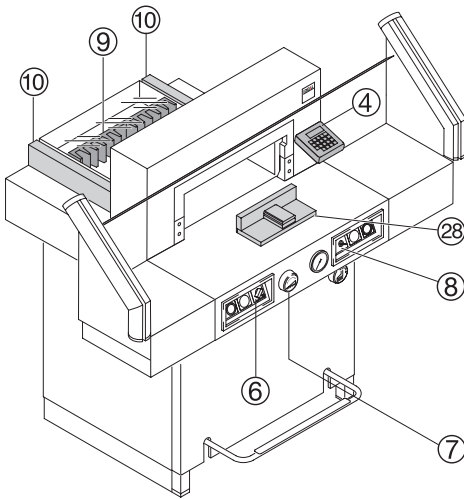
IDEAL 5222 DIGICUT



Operating elements

- ① - Safety light beam
- ② - Safety two-handed control system clamping and cutting
- ③ - Overload switch (blade drive/backgauge drive)
- ④ - Backgauge control
- ⑤ - Foot pedal
- ⑥ - Main switch
- ⑦ - Hand-wheel for backgauge setting
- ⑧ - Key switch
- ⑨ - Backgauge
- ⑩ - Side lay left and right
- ⑪ - Clamp pressure
- ⑫ - Clamp pressure adjustment
- ⑬ - Display cutting size (cm or inch)
- ⑭ - Select program step up (Programming or fixed dimension (Standard 21 cm))
- ⑮ - Select program step down (Programming or fixed dimension (Standard 10,5 cm))
- ⑯ - Stop and delete input
- ⑰ - Start
- ⑱ - Memory multiple cut
- ⑲ - Keypad
- ⑳ - Changeover cm - inch (LED - display)
- ㉑ - Clear program
- ㉒ - Select program
- ㉓ - Enter
- ㉔ - Program number
- ㉕ - Program step
- ㉖ - Cut is blocked
- ㉗ - Display multiple cut





Start machine

- Main switch (6) to position "I", insert the key (8) for the control panel and turn it to the right.
- Press **Start** button (17) → backgauge (9) moves to the rear and searches for the reference position, wait until a measurement is shown in the display (4) (52 cm or 20,47 inches).

⚠ Warning!

Before storing or cutting a measurement please check if the correct measurement scale (cm or inch) is stored (LED lights). For information on how to store see picture below left.

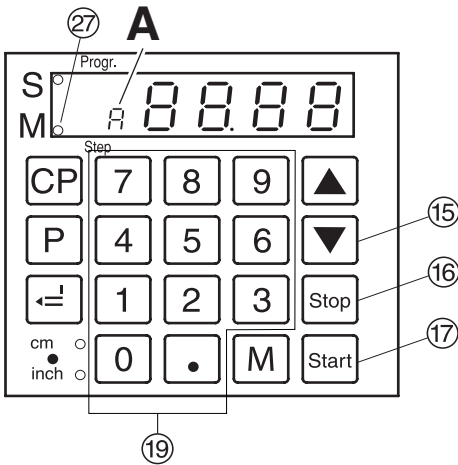
Cutting to specified dimensions

- Enter dimension on the numerical key pad (19) → LED "S" (26) lights.
(If a wrong dimension is entered this can be corrected by pressing the **Stop** button).
- Press **Start** button → dimension is approached, → LED "S" disappears.
With the false clamp measurements between 7 cm and 9 cm can only be approached with the hand-wheel (7). See page 16.
- Insert paper and move by means of the stacking angle to the backgauge (9) and side lay on the left (10).
- Release the cut.

Cut according to markings

- Adjust the backgauge with the hand-wheel or crank handle (7) to the back.
- Insert paper and move by means of the stacking angle to the backgauge (9) and side lay on the left (10).
- Turn the hand-wheel (7) to the right until the marking on the paper to be cut is below the cutting line indicator.
- The further the hand-wheel (7) is turned to the right, the quicker the backgauge moves. If the hand-wheel is turned to the left the backgauge will return quicker.
- Release the cut.

IDEAL 5222 DIGICUT



Multiple cut

There are 2 multiple cuts to choose from.

- 1.Option: backgauge moves **automatically** after each cut.
- 2.Option: backgauge is moved by **pressing the Start button** after each cut.

Multiple cut function (automatic)

- Press [M] → the LED "M" 27 and "A" will be on.
- Enter the multiple cut size 19.
- Press [Start] → backgauge will advance by a multiple cut size → cut is activated → backgauge moves **automatically** one multiple cut size further.
- Etc.

Multiple cut function (using the Start button)

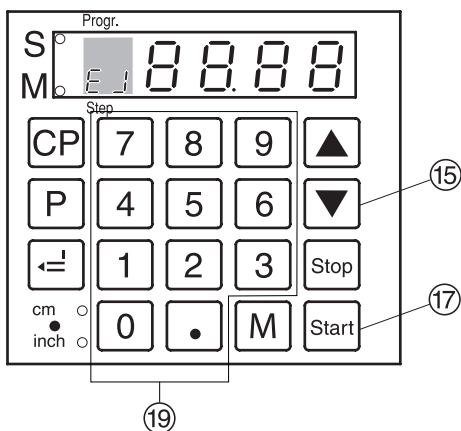
- Press [M] twice → the LED "M" 27 will be on.
- Enter the multiple cut size 19.
- Press [Start] → backgauge will advance by a multiple cut size → cut is activated.
- Press [Start] → backgauge will advance to next multiple cut size.
- Etc.

Pressing the [Stop] button 16 shows the actual size.

Exiting program mode

Press [M] twice when using option 1 **(automatically)**

Press [M] once when using option 2 **(pressing the Start button)**



Eject function

If button (15) is pressed instead of button (17), after inserting the measurement (19), the backgauge will advance forwards so that paper can be removed. Finally the backgauge moves to the last setting.

Adjust the eject-dimension

- Press , hold, and press → on display.
- Insert the desired dimension. (Standard is 20 cm).
- Store dimension.
- + Escape the program mode.

Program buttons and programs

Press , hold, and press () or

Press , hold, and press ()

- Enter the desired dimension (For example: 29,7 cm x 21 cm can be entered for DIN A4)
- Store dimension.

Display in cm or inch

- Press → display changes between cm and inch (see page 19).

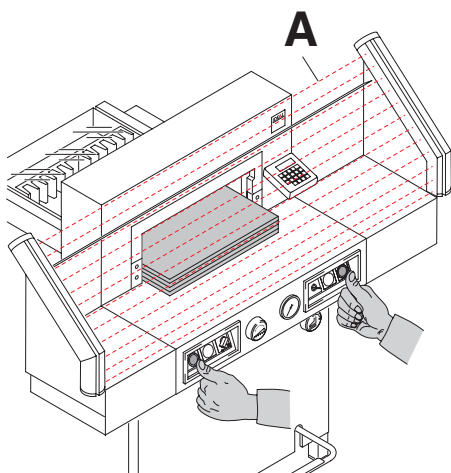
Cutting counter

- Press and hold and press .
→ number of cuts are shown.
- Press twice to delete the number of cuts.
- Press to escape the cutting counter.

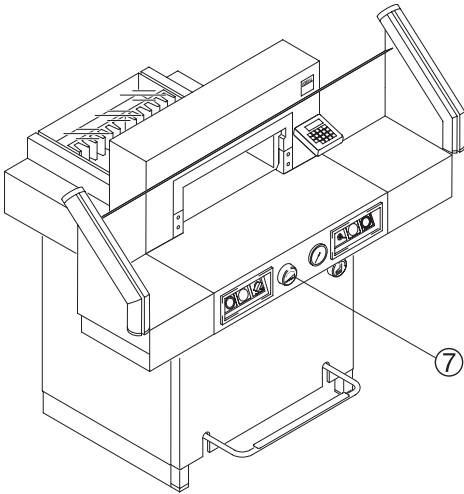
Cutting activation

Warning!

- Run backgauge to the front for turning the paper stack.
- Do not interrupt the upward movement of the blade by performing switching procedures.
- Release blade only when LED "S" has gone out.
- The safety area (A) must be free.
- Blade must always be at the top and be covered by the clamp. Do not touch the blade.
- Risk of injury!
- Press both buttons of the two-handed control system simultaneously and keep them pressed until the paper is completely cut.



IDEAL 5222 DIGICUT



Programming

This control system enables you to store 99 programs with 99 programmable steps. One step represents one measurement. After entering the program numbers you are able to change between several program steps with the button ▼ and ▲.

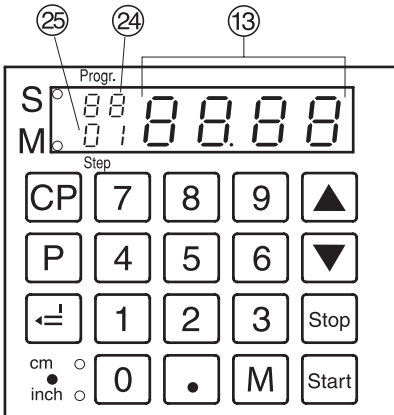
"UL" on the display → the entered dimension is too low.

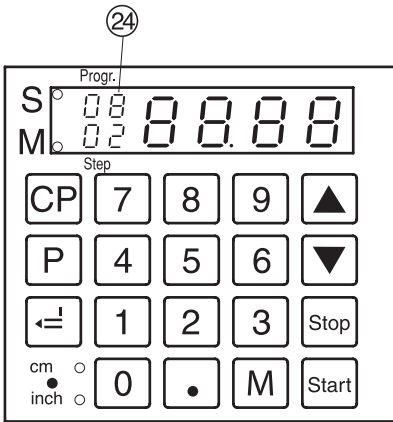
"UL" on the display → the entered dimension is too high.

Each program step corresponds to one dimension. The indicated program step can be overwritten at any time. These programs remain stored when the machine is off. Should you change to another dimension unit all programmed measurements are converted into the new unit (cm or inch).

Entering a program

- Press [P] → "Pr" appears on the display.
- [0] [1] ... [9] [9] Enter program number 01...99. (Top number on display 24 = program number).
- If measurement is shown on the display 13 the program is reserved.
- Enter dimension, or move the backgauge to the desired measurement with the hand-wheel 7.
- [] Store the dimension → next program step 25 appears.
- Enter the next dimension. Should an ejection be desired **before** this cut press [P], hold, and press [M].
- [] Store the dimension → next program step appears.
- Should the entered program be required immediately → press [Start] (program is closed). Press [Start] again (backgauge moves to the dimension of the first program).
Or:
- [P] + [Stop] Escape the program mode.





Eject function program

The eject function can be added each time a measurement is entered and ejects before advancing to the next measurement.

An eject at the end of a program must be programmed in the first step at the program.

If the dimension and eject function are stored in the program step the program number appears on the display (24).

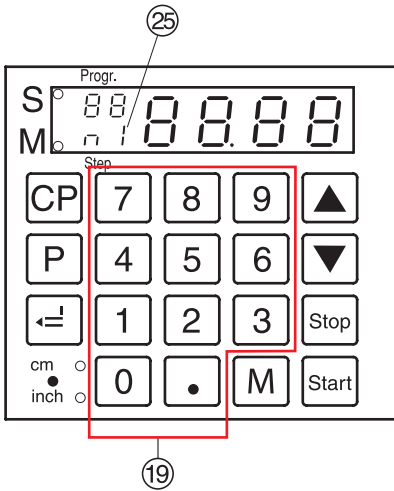
Example of a program eject function

- **P** 0 8 program 08
- **CP** **CP** delete previous program
- **1** 6 = step 1 on 16,0 cm
- **2** 0 step 2 on 20,0 cm
- Press **P**, hold, and press **M** eject (E J blinks)
- **=** Store the dimension
- **P** **Stop** escape the program mode

How the example works

- **P** 0 8 start program 08
- **Start** proceeds to position
- Insert paper
- Release cut 1
- Paper is ejected (24 blinks)
- Turn the paper
- Release cut 2
- **P** **Stop** escape the program mode

IDEAL 5222 DIGICUT



Programming of multiple cut dimension

- **[P]** Press → "Pr" appears on the display.
 - **[0]** **[1]** ... **[9]** **[9]** Enter program number 01 ... 99.
Top number on display = program number.
Lower number = program step.
 - Enter the cut size on the display **19**.
 - **[=]** Store the dimension.
 - Enter multiple cut size.
Press **[M]** button $n \cdot 1$ **25** and multiple cut size appears on the display.
Press **[M]** button again n^2 n^9
 - **[=]** Store the dimension.
 - **[P]** + **[Stop]** Escape the program mode.
- Maximum nine multiple cuts can be entered.

Cancel a program

- **[P]** press → "Pr" appears on the display.
 - **[0]** **[1]** ... **[9]** **[9]** Enter program number 01 ... 99.
 - Press button **[CP]** twice.
- Each program has to be cancelled separately.

Deleting a dimension when programming

Press **[Stop]** and overwrite the dimension.

Choose a program step appears.

Press **[P]**, hold, and press **[M]** → **5t** **25** lights.
Enter the desired number of steps (e.g. **[0]** **[5]**).

Change a step

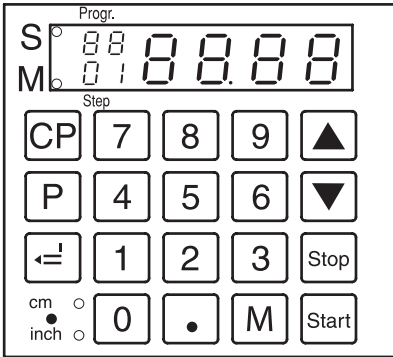
- **[▲]** → next step
- **[▼]** → previous step

Insert a step

Press **[P]**, hold, and press **[▲]** → A new program step is inserted before the displayed program step is shown.

Delete a step

Press **[P]**, hold, and press **[▼]** → Program step is deleted.
The following number of steps are updated.



Working with programs

- Press **[P]** → "Pr" appears on the display
 - **[0]** **[1]** ... **[9]** **[9]** Enter program number 01 ... 99
- With the button **[↓]** and **[↑]** you are able to change between several program steps.
- With **[Start]** the backgauge moves to the indicated dimension.
- With **[Stop]** the backgauge stops.

General

LED "S" lights → Cut is blocked.

LED "S" is off → the actual dimension appears.

In the program mode the ejection of paper **[↓]** is not possible. The ejection of paper has to be programmed.

Escape the program mode

- Press **[P]** → "Pr" appears on the display.
- Press **[Stop]** → escape the program mode.

IDEAL 5222 DIGICUT



If the cutting quality decreases:

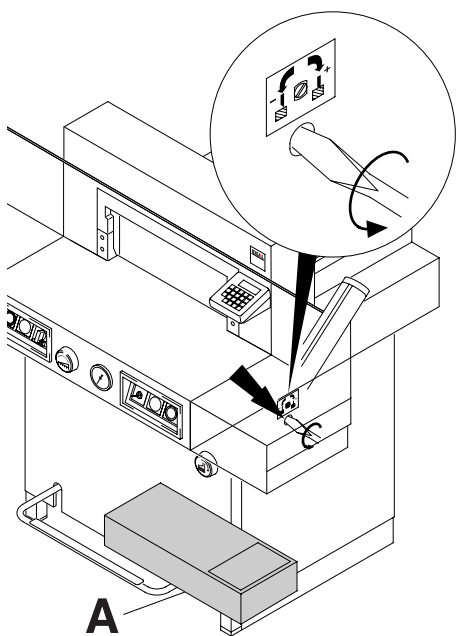
- Check the cutting depth (see page 34).
- Check the cutting stick (see page 30).
- Replace or grind the blade (see page 26 - 34).

The blade cannot be ground if the blade height is less than 83 mm/3,29 inches. A new blade must be used.

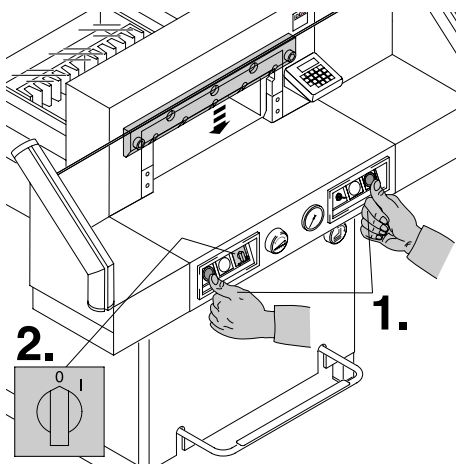
The blade may only be ground by a qualified supplier or from the manufacturer Krug & Priester, D-72336 Balingen.

⚠ Danger! Risk of injury!

The blade is extremely sharp. Do not extract or transport the blade without protection. Changing the blade may only be performed by trained staff.

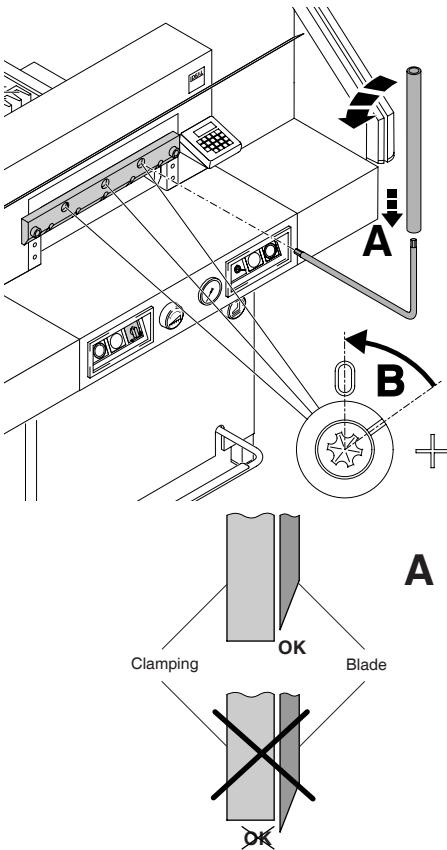


Turn the blade depth adjustment screw to the left until it stops. (Screwdriver found in tool set (A)).



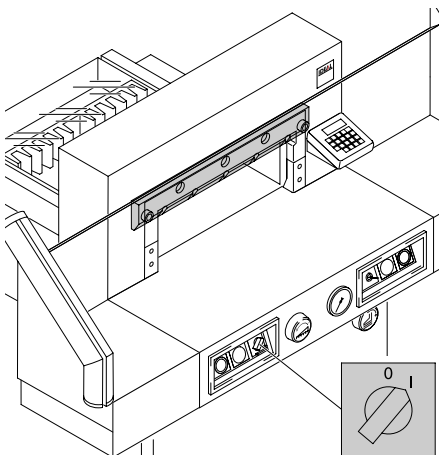
Lower the blade by pressing both cutting buttons (1.). Keep one button pressed and turn off the main switch (2.).

IDEAL 5222 DIGICUT



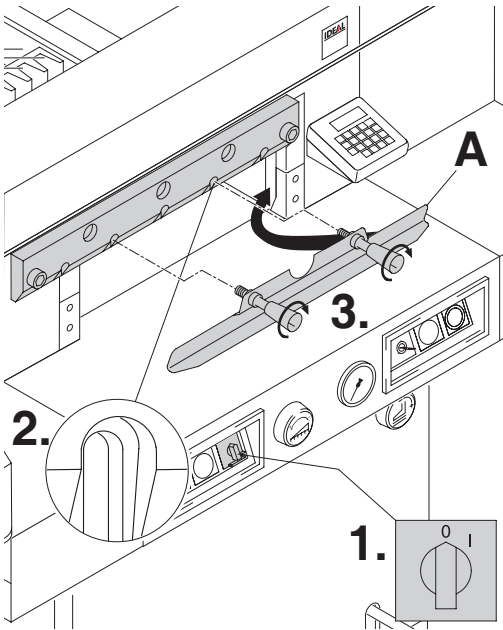
The 3 eccentrics are now exposed and should be turned counter clockwise to position "0" with the special wrench and attachable extension pipe (A) (in the tool set). The slot must correspond to position "0" (B).

It is essential that this procedure is performed so that the knife stands in the correct position, see A. (If this process is not performed the knife could cause injury).

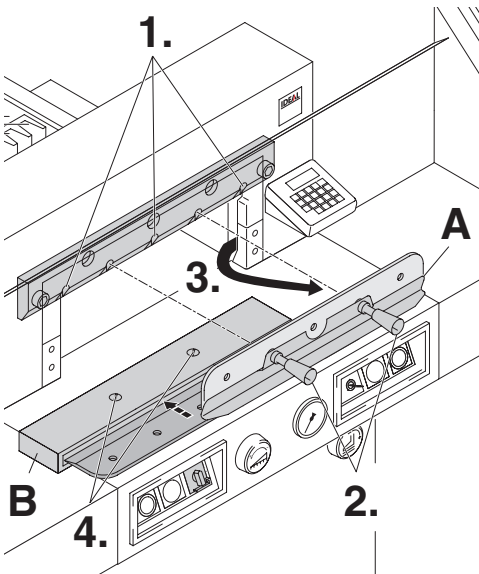


Remove the special wrench and turn on the main switch until the blade returns to the home position.

• Blade and cutting stick replacement •

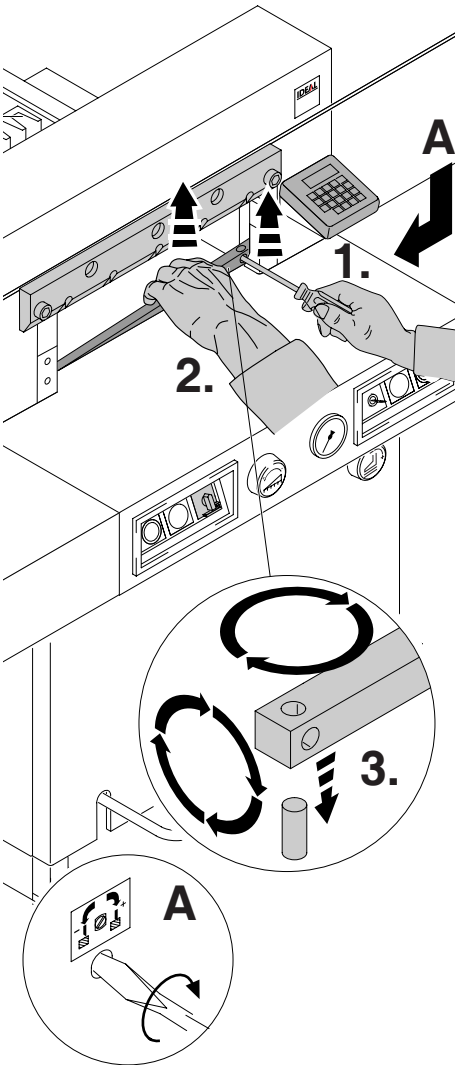


Position the main switch to "0" (1.)
Remove the 2 blade screws on the elongated holes (2.). Then put the blade changing tool (A) into place and fasten it to the blade (3.).



Remove 3 blade screws (1.)
Loosen the grips (2.) of the blade changing tool (A) lightly and allow the blade to be taken downwards out of the machine (3.). Place the blade into the blade carrier (B) and screw it into place (4.).

IDEAL 5222 DIGICUT



Take out the cutting stick with a small screwdriver. If needed the cutting stick can be turned or exchanged. (The cutting stick can be used eight times).

Replacing the cutting stick (not the blade)

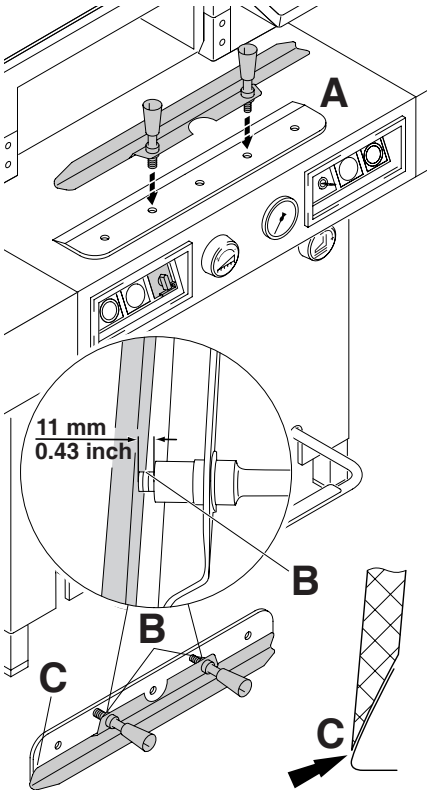
- Turn the blade adjusting screw (A) to the left until it stops. (Otherwise the first cut will be too deep).
- Remove the cutting stick according to top picture.
- Turn the cutting stick (the non-used side must be near to the blade) and plug it into the holding bolt.

⚠ **Danger! Risk of injury!**

Cutting test after replacing the cutting stick (not the blade)

- Insert the paper and release the cut.
- If the last sheet of paper is not cut along the entire length turn the blade adjusting screw (A) ¼ turn to the right.
- If the last sheet is still not completely cut repeat this process until the last sheet is cut along the entire length.

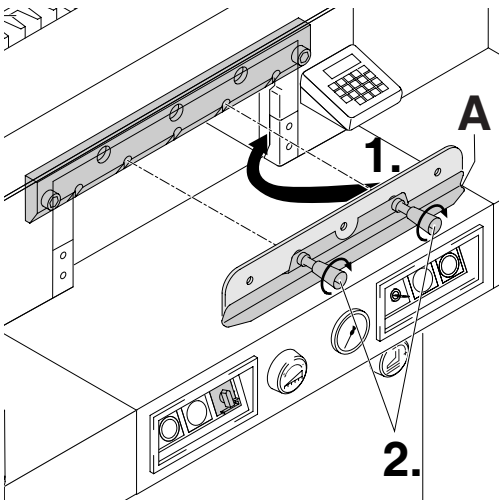
• Blade and cutting stick replacement •



Take the exchange blade carefully out of the blade box and screw it to the blade changing tool (A)

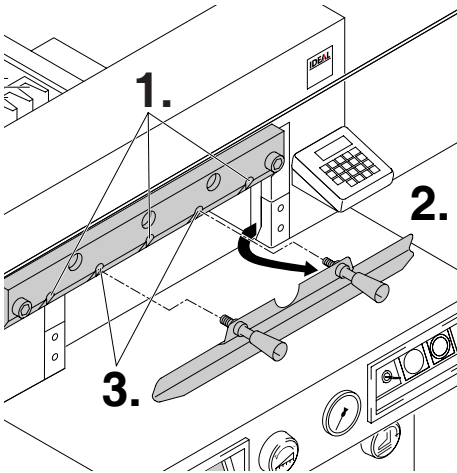
- Make sure there is a space of 11 mm or 0.43 inches! (B).
- Blade must be covered! (C).

⚠ **Danger! Risk of injury!**

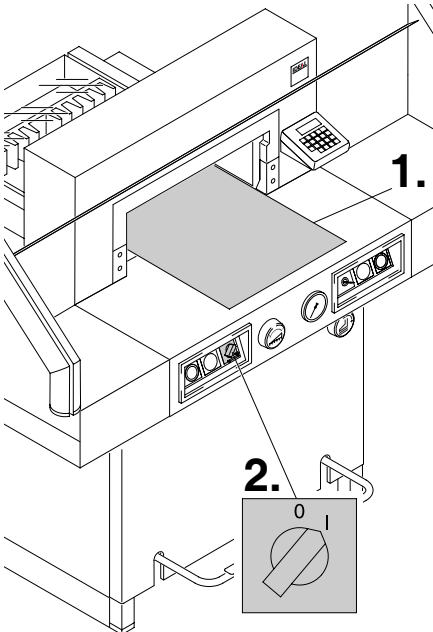


Place the blade to be exchanged with the blade changing tool (A) mounted (1.), into the blade carrier and push it up to the top and screw it into place with the grips (2.).

IDEAL 5222 DIGICUT

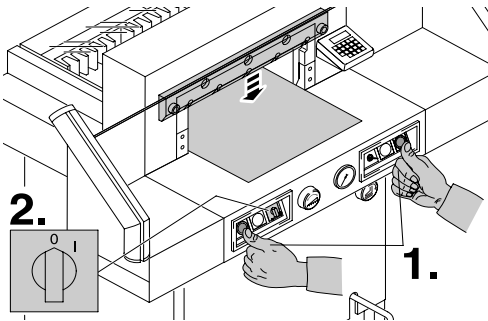


Lightly tighten 3 of the 5 blade screws with washers (1.). Remove the blade changing tool (A) (2.). Lightly tighten the remaining blade screws with washers (3.).

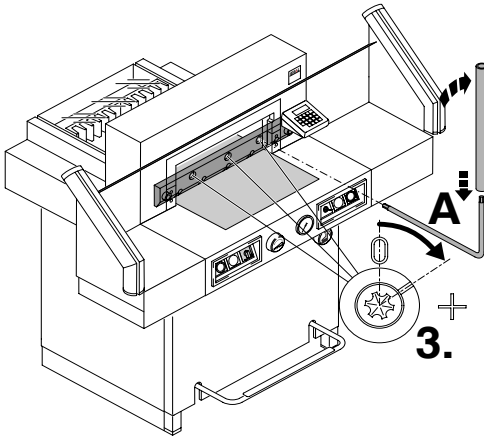


Remove all tools and distribute paper along the entire cutting length (1.). Turn main switch to position "I" (2.).

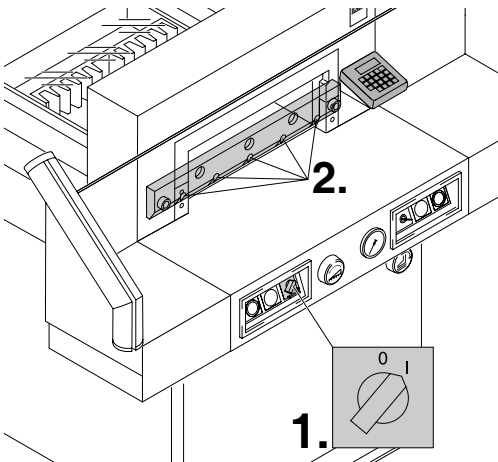
• Blade and cutting stick replacement •



Lower the blade by pressing both cutting buttons (1.). Keep one button pressed and turn off the main switch (2.).

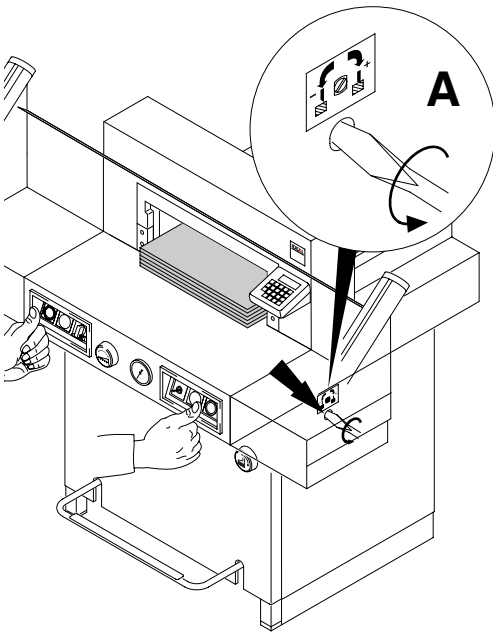


With the special wrench (A) the 3 eccentrics should be screwed down (3.) until the paper is cut along the entire length of the blade (The blade must remain parallel, not too deep into cutting stick).

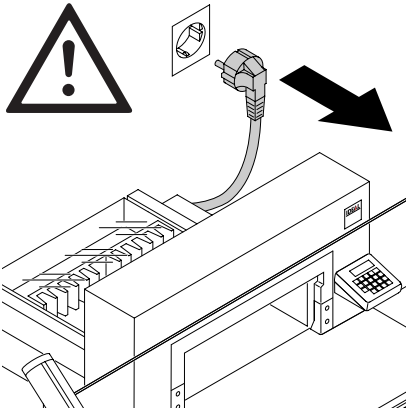


Turn main switch to position "I" (1.). Blade will return to upper position. Tighten the blade screws (2.) firmly.

IDEAL 5222 DIGICUT



Paper cutting test. If the last sheet or several sheets are not completely cut, gradually turn the knob for blade depth adjustment (A) $\frac{1}{4}$ turn to the right until the paper is cut along the entire length. Do not set too low as blade will become blunt sooner.



Maintenance work may only be performed by trained staff.

⚠ Danger! Disconnect the mains before starting any service work or before removing the cover.

Grease the backgauge (A) control weekly with a grease gun. Advance the backgauge as far as possible to the front. (Use non-resinous oil or grease).

Grease the remaining parts twice a year (see picture).

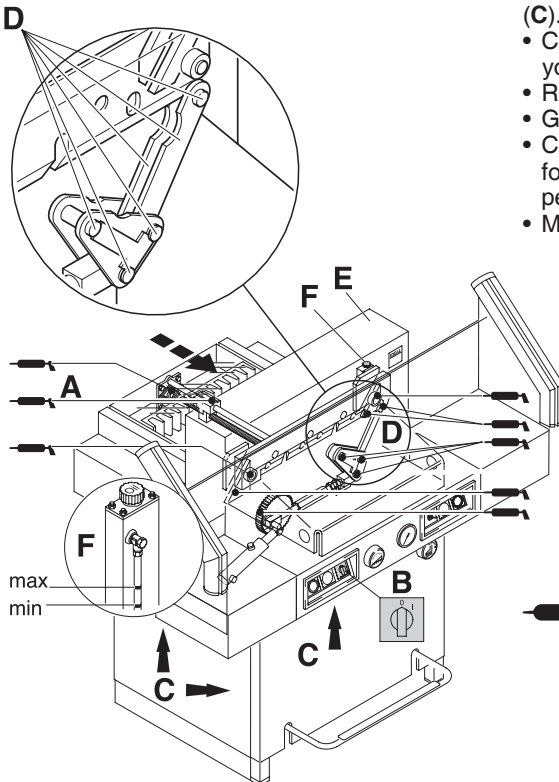
Lower the blade by pressing both cutting buttons. Keep one button pressed and turn off the main switch (B).

Disconnect from the mains.

Remove the front upper housing (E) → taking care of the cable.

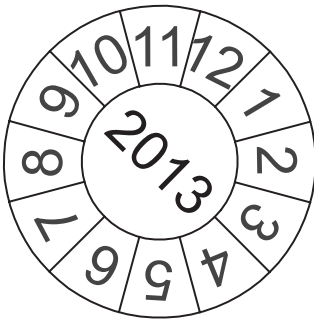
Remove lower panel and rear wooden panel (C). Tools in tool set.

- Check oil (F). If oil is below minimum contact your dealer.
- Remove any paper.
- Grease the machine.
- Check the 4 joining bolts and 2 pushing bars for wear (D). If necessary inform your service personnel.
- Mount the machine.



 = Greasing points on the machine.

IDEAL 5222 DIGICUT

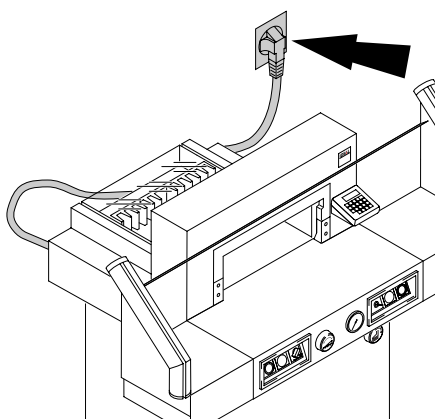


Safety test

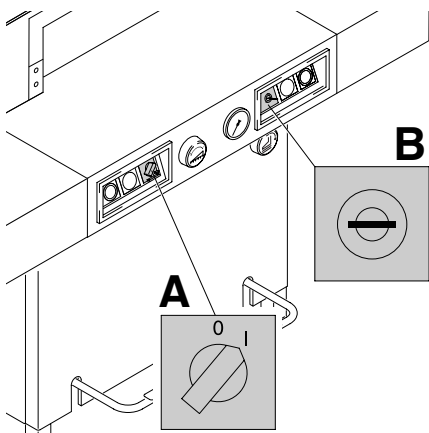
The safety regulations are according to the regulations of the country where the cutting machine is operated. The manufacturer recommends a safety check is made every 5 years by an authorised service team.



Machine does not function!

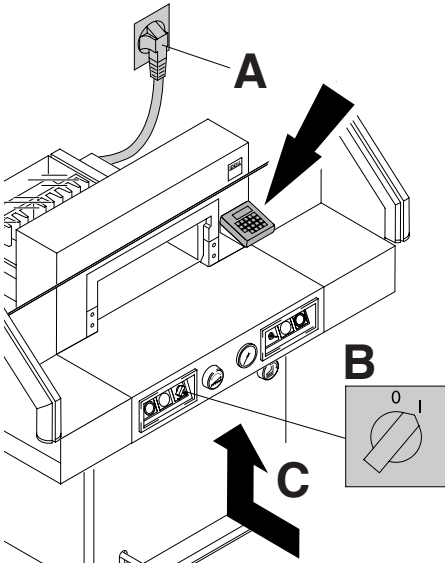


Is the machine plugged in?



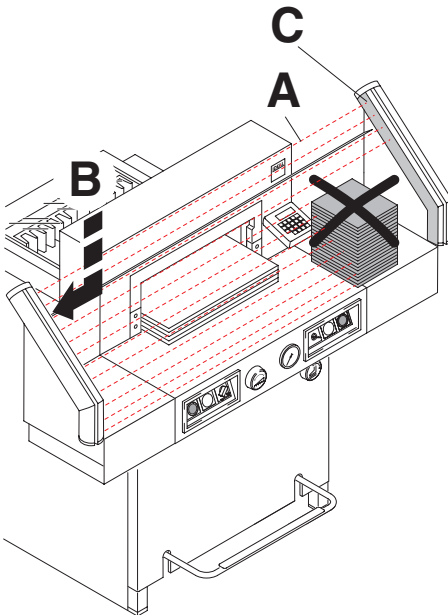
Main switch to position "I"? **(A)**
Control system activated? **(B)**
(Turn key to the right)
Release a cut see page 17.

IDEAL 5222 DIGICUT



Display illumination off

- Push in the safety button! (A)
- Check the units fuse and the on-site circuit breaker!

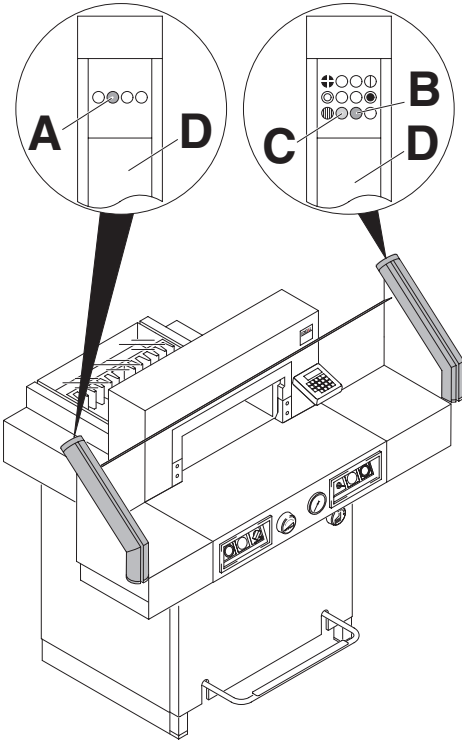


Cut cannot be activated.

- **Safety light beam is interrupted /dirty.**
Remove all items obstructing the safety area (A) and clean the glass from the sender (B) and receiver (C).
- **Measurement has not been reached correctly.**
→ LED "S" (14) does not turn off.
Push the Start button again.
- **Measurement below 9 cm.**
The false clamp plate must not be mounted.
Remove the false clamp plate and store it in the provided holder (see page 16).

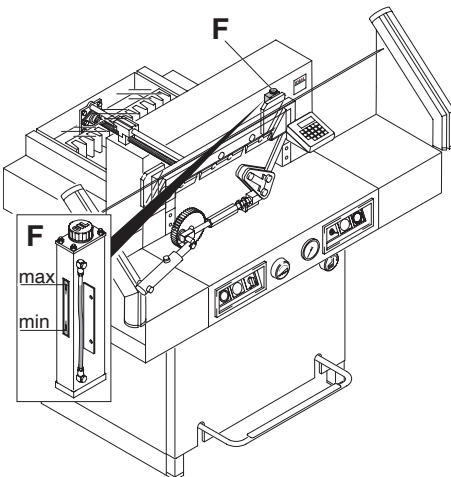
Sender

Receiver



Trouble shooting-light beam

- During normal operation the LED (A) must illuminate orange and LED (B) green.
- Display (C) is permanently on orange when the sender and/or receiver require cleaning. **Clean the glass (D) from the sender and receiver.**

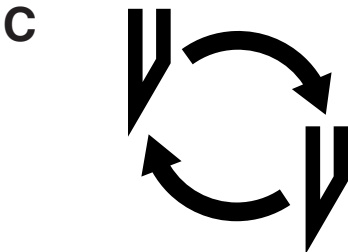
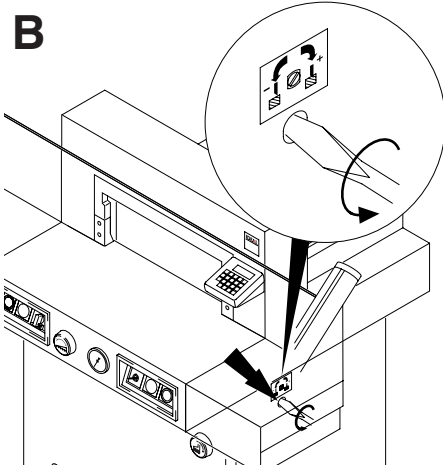
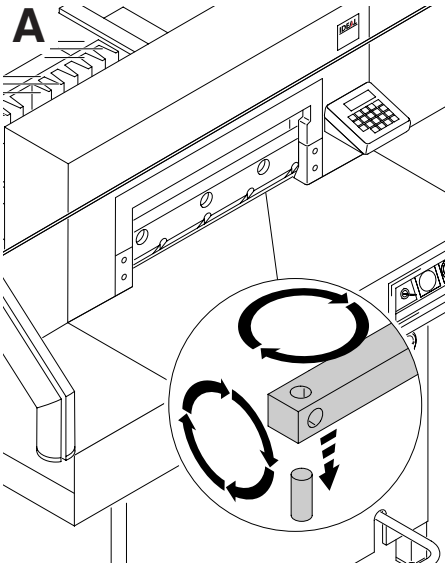


No clamp pressure.

- Hydraulic oil needs refilling (F). **Contact your dealer.**

• Possible malfunctions •

IDEAL 5222 DIGICUT

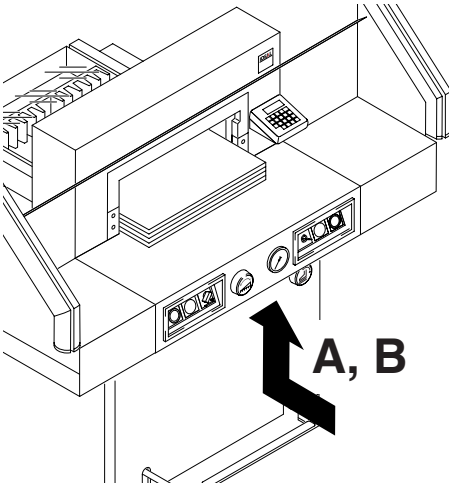


Does not cut through the last sheet:

- Turn or turn around the cutting stick (A), readjust the blade by means of the blade adjusting knob (B) (see page 34).

Poor cutting quality or blade stays in the paper stack.

- Change the blade (C) (see pages 26 - 34).



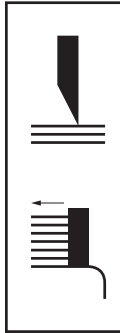
Machine turns off:

- **Machine overloaded.**
Safety button (A) ejects.
Allow 1 minute cooling time and reset the safety button (A).
- **Machine blocked.**
- **Blade is blunt.**
Eliminate the cause, and push the safety button (A).
- **Backgauge blocked**
Safety button (B) ejects.
Eliminate the cause, and push the safety button (B).

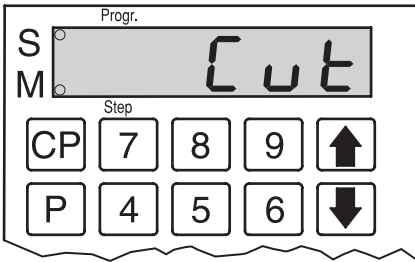
Safety button for

A = Blade drive

B = Backgauge drive

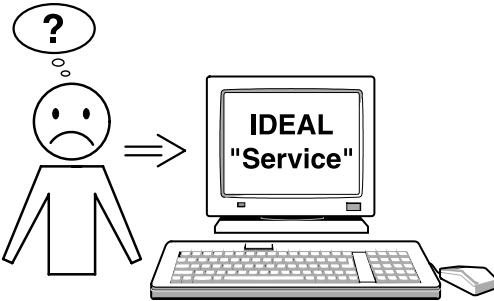


IDEAL 5222 DIGICUT



"CUT" appears on the display,

- clamp is not in upper position.
→ operate the foot pedal (clamping) again.



Motor runs but blade does not move downwards.

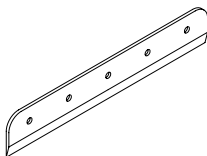
- Security brake has been activated!
Inform the Service Team!

None of the above mentioned methods helped to solve the problem:

Contact Service Team under

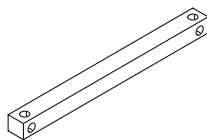
- www.ideal.de → "Service"
service@krug-priester.com

Empfohlenes Zubehör:



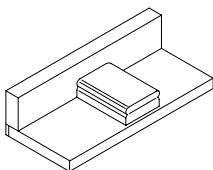
Blade

- Nr. 9000 130



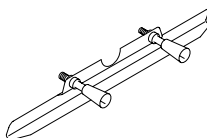
Cutting stick (6 pieces)

- Nr. 9000 024



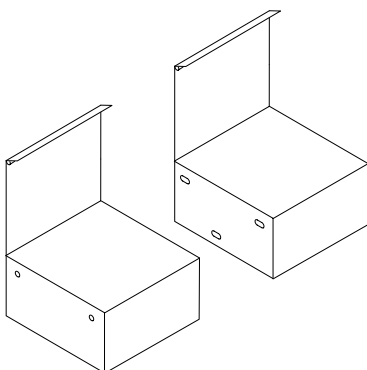
Paper knock-up block ¹

- Nr. 9000 521



Blade changing tool ¹

- Nr. 9000 512

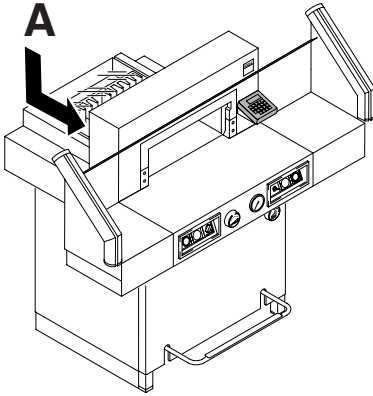


Side tables left and right

- Nr. 9000 531

¹ Included in delivery

IDEAL 5222 DIGICUT



Technical data:

- Power supply: 230V/50Hz/1~, 120V/60Hz/1~
- Cutting length: 520 mm
- Cutting height: 80 mm
- Table depth: 520 mm
- Minimum space requirement (width x depth x height)
950 mm / 1650¹ mm x 1090 mm x 1310 mm
- Leakage current < 3,5mA
- Power cord gauge min. 1,5mm² (230V)
- Power cord gauge AWG 12 (20A) (120V)
- Clamping pressure: min. 200 daN,
max. 1100 daN
- Weight: 327 kg, 352¹ kg
- Capacity of hydraulic oil: 1,5 l
HLPD, viscosity 46 mm²/ sec. to DIN 51562.
Used oil must be disposed of at the
authorised place.

¹ with side tables

The exact technical specifications can be found on the technical specifications sticker (A) on the machine. A wiring diagram is found in the electrical switch box.

To claim under guarantee, the machine must still carry its original identification label.

Safety light beam

- Total reaction time: 91 ms
- Resolution 14 mm/minimum distance: 182 mm
- Resolution 20 mm/minimum distance: 230 mm
- Resolution 30 mm/minimum distance: 310 mm
- Resolution 32 mm/minimum distance: 326 mm

Ambient operating temperature 10 °C - 60 °C

Air humidity (not condensating) 15 % - 95 %



This machine is approved by independent safety laboratories and is in compliance with the EC-regulations 98/37/EG, 2006/95/EG and 2004/108/EG.

Sound level information:

The sound level is < 70 db (A) as defined by EN 13023.

Subject to alteration without notice.



I.T.E. Listed 802 D



D EG-KONFORMITÄTSERKLÄRUNG
GB EC-declaration of conformity
F Déclaration de conformité CE

- Hiermit erklären wir, daß die Bauart von
- Herewith we declare that
- Par la présente, nous déclarons que

5222 DIGICUT

- folgenden einschlägigen Bestimmungen entspricht
- complies with the following provisions applying to it
- sont conformes aux dispositions pertinentes suivantes


98/37/EG; 2006/95/EG; 2004/108/EG

- Angewendete harmonisierte Normen insbesondere
- Applied harmonised standards in particular
- Normes harmonisées utilisées, notamment

**EN 60204-1; EN 1010-1; EN 1010-3; EN 55014-1; EN 55014-2;
EN 61000-3-2; EN 61000-3-3; EN 61496-1; prEN 61496-2;
EN ISO 12100-1; EN ISO 12100-2; EN ISO 13857; EN 954-1; EN 13023;
EN ISO 11204**

Krug & Priester GmbH u. Co KG
72336 Balingen, Germany

01.07.2008
Datum


Wolfgang Priester
- General Manager -

Remarks:



Document Shredders

Trimmers and Guillotines

