

Document Shredders
Modular conveyor belt system

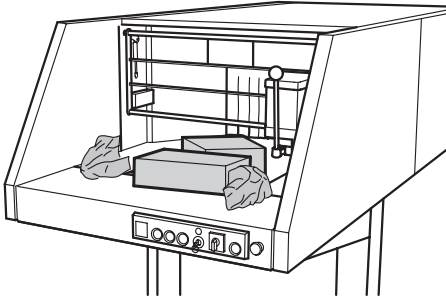
EN Operating Instructions

IDEAL 5009-2 CC
IDEAL 5009-3 CC



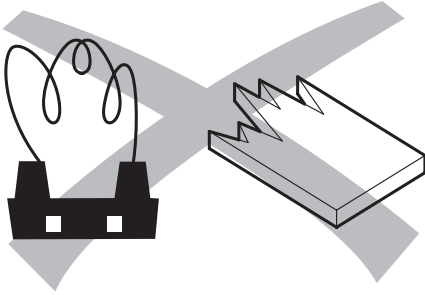
Intended use	3
Safety precautions	4
Installation	10
Operation	17
Possible malfunctions	23
Accessories	28
Technical Information	29
EC-declaration of conformity	31

- Intended use •
- Safety precautions •

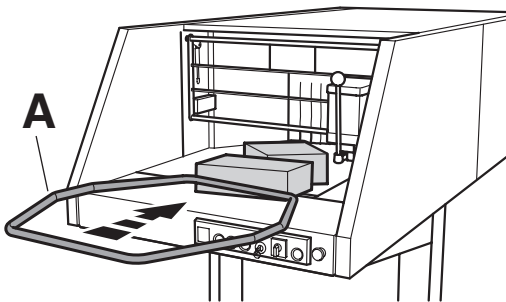


Intended use

1. This document shredder is intended for shredding loose or crumpled up paper, cartons, including staples, and a small number of discs.
2. The rugged single-blade cutting unit shreds entire file folders, including ring binder mechanism.



Do not shred materials forming loops and splintering.



Material not caught by the shredding mechanism must be pushed with the pusher (A).

• Safety precautions •



Please ensure to read this operating manual before starting the machine for the first time and please strictly follow the safety instructions mentioned herein. This manual must be available at any time.



Take care of long hair!



Do not grasp into the cutting mechanism!



Take care of ties and other loose pieces of clothing!



Caution, moving parts!



• Safety precautions •



No operation by children!



Do not destroy accumulators/batteries!



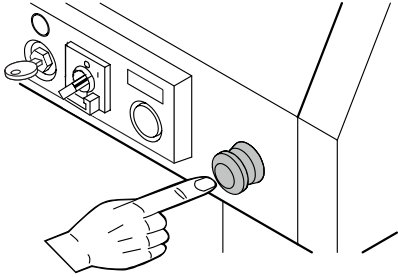
Do not use any spray cans with flammable content near to the document shredder!



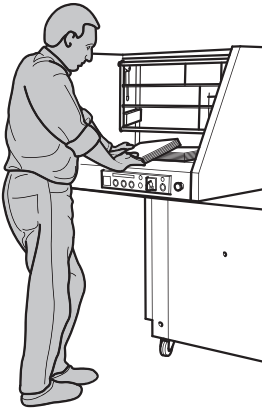
Do not use any flammable cleaning agents.



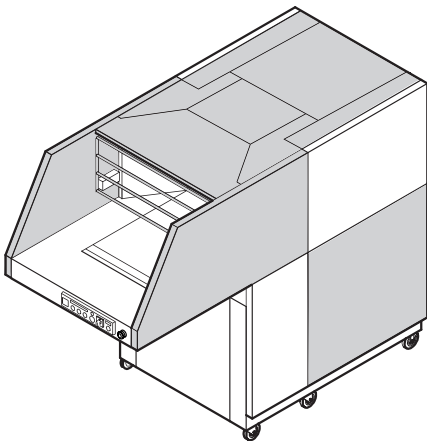
• Safety precautions •



Quick stop → Press emergency stop!

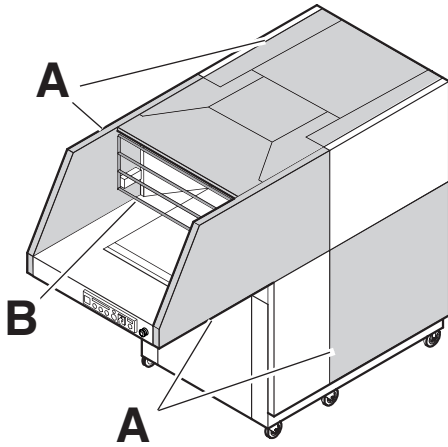


This machine is designed for one-man operation only !



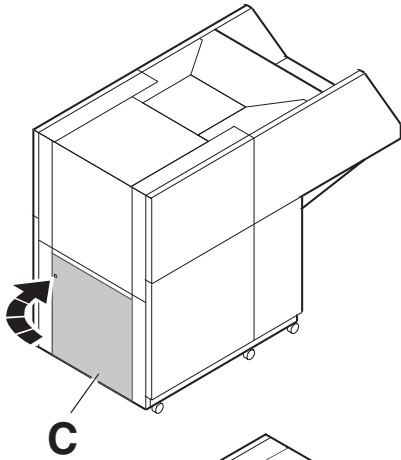
All components which could endanger the operator are covered by a guard.

• Safety precautions •

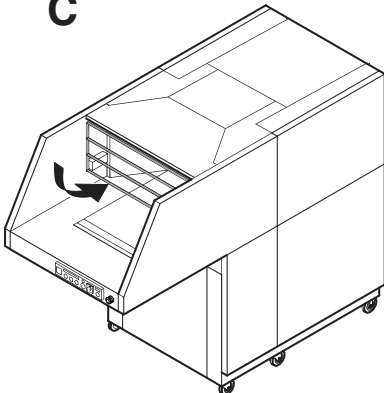


No operation without the following safety devices:

- Covering panels (A) tightly screwed.
- Grid (B) and door (C) which are secured by switches.



Machine operates only when the door ...

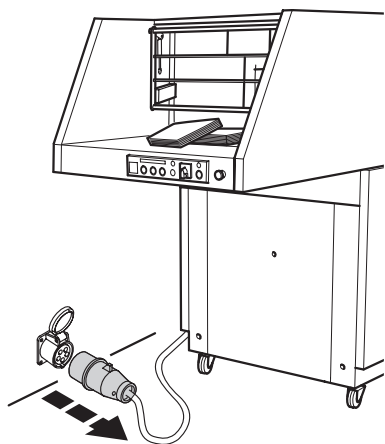


...and grid are closed.

• Safety precautions •

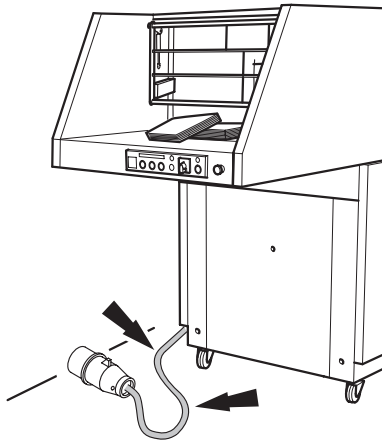


Do not use any kind of uplift assistance

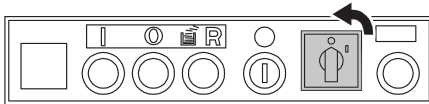


Remove the mains plug before cleaning the machine !
Do not carry out your own repairs on the paper shredder !
(See page 27).

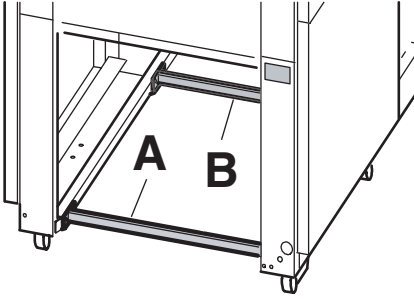
• Safety precautions •



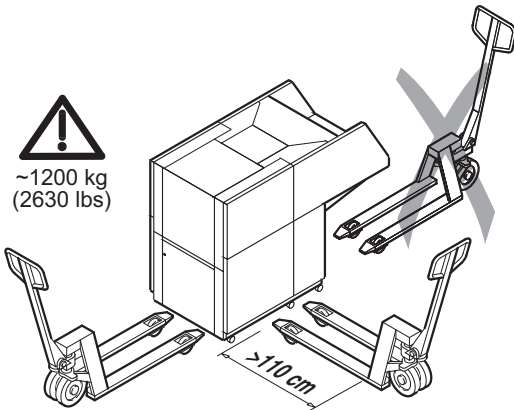
Protect mains cable against heat, oil and from sharp edges.



When not in use for a longer time switch off the machine.



The transport safety device (A) and (B) must be mounted when the machine is transported lengthwise. The machine must be transported from the rear.

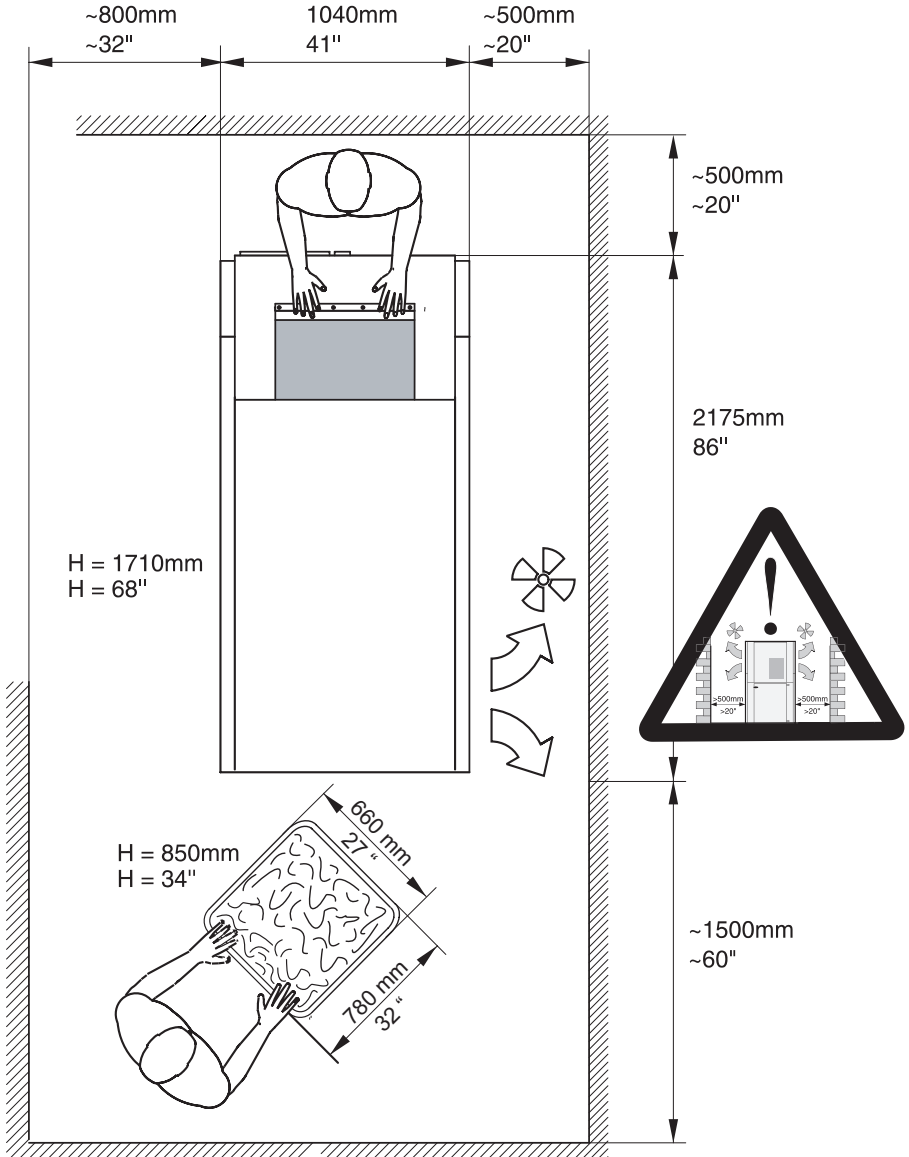


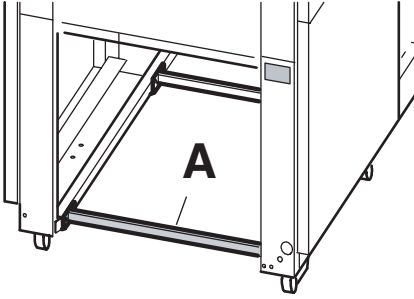
Make sure the pallet-jack is centred under the machine.

Do not lift up the machine from the operating side.

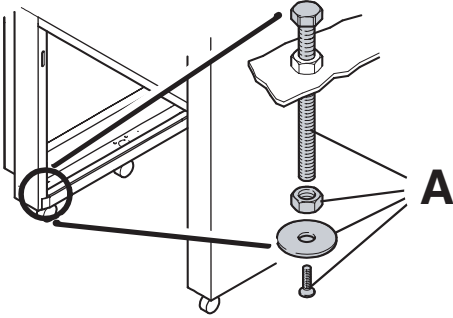
Do not lift the machine more than necessary
→ risk of tipping.

- Do not cover the ventilation slits.
 - Consider the floor loading.
- Weight approx. 1200 kg.

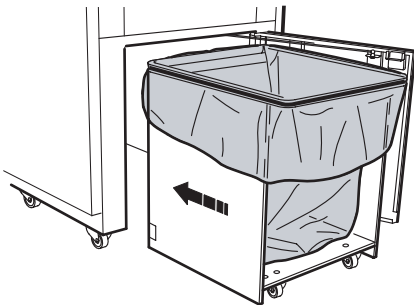




- Open the door.
- Remove the transport safety device (A) and keep for later use.

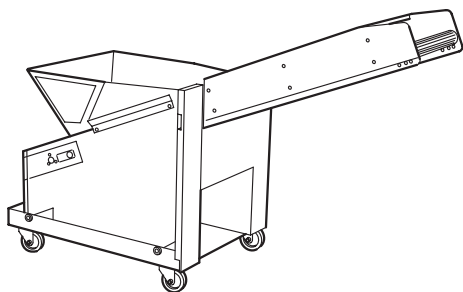


- Mount the supporting screws (A).
- Screw down the supporting screws until the rear castors are balanced.



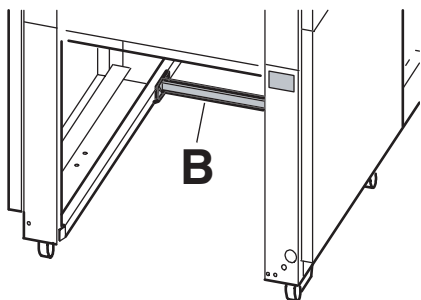
Waste cart

- Put the plastic bag into the waste cart as described under "replace bag". (See page 22)
- Push the cart into the machine, with the open side facing you, until it touches the buffer.
- Close the door.

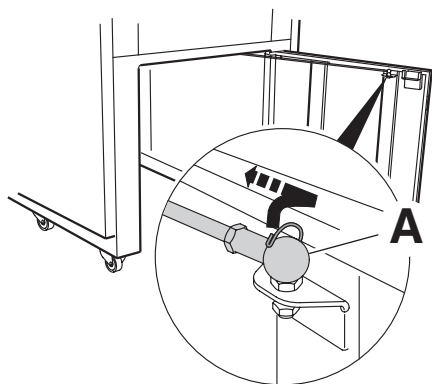


Conveyor belt (Accessory)

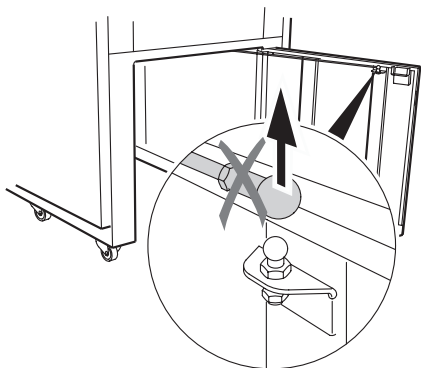
When using a conveyor belt the following modifications must be made on the machine:



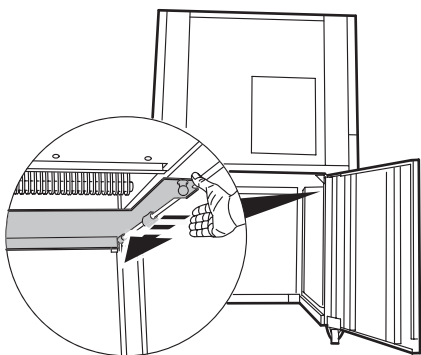
Remove the back transport safety device (**B**).



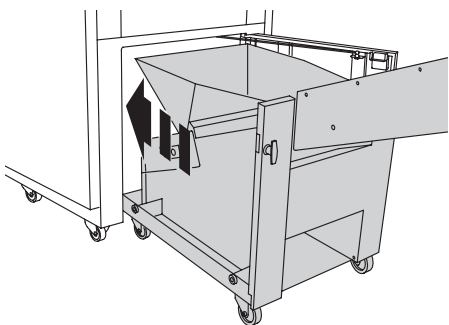
Remove the springs from the ball-ends (**A**) on both sides.



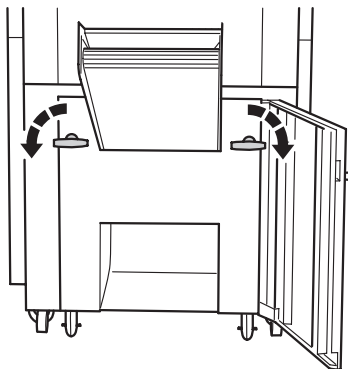
Dismount the tie-bar.



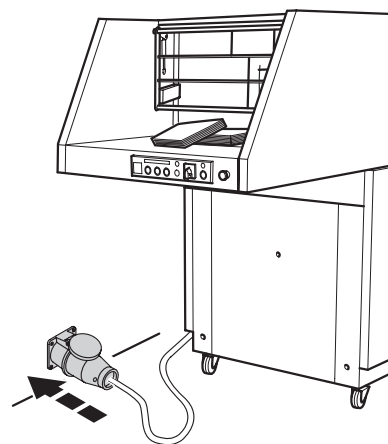
Push the pusher to the back.



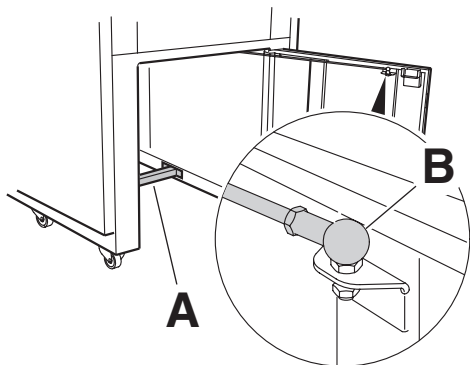
Push back the conveyor belt into the machine.



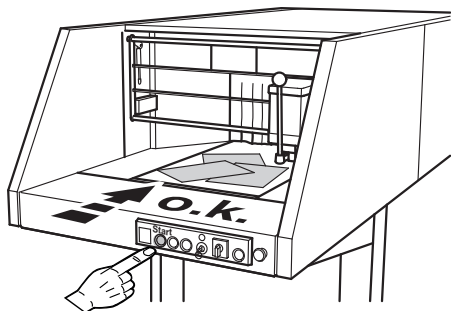
Turn both handles to lock.



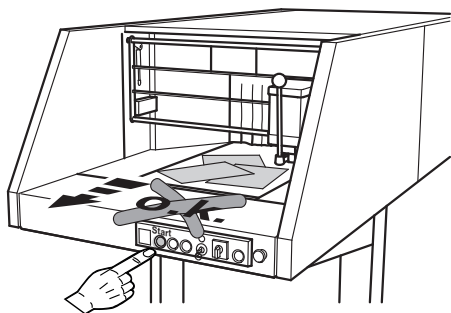
Plug into the wall socket.



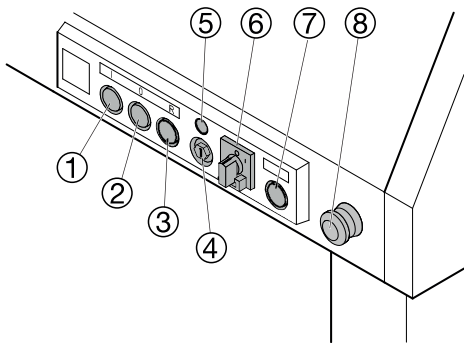
If the machine is to be operated with a waste cart the rear transport safety device (A) and tie-bar (B) must be re-assembled. To assemble follow the same instructions in the reverse order.



Check the direction of the conveyor belt.
Start the machine.

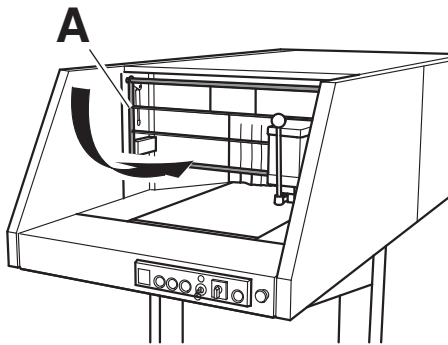


Wrong rotating direction → Changes must be done by an electrician.



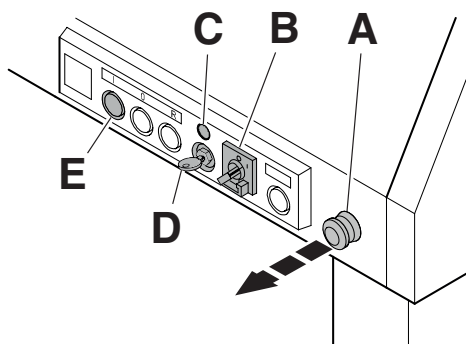
Operating elements

- ① - Start
- ② - Stop, light for "door open" and "grid open"
- ③ - Reverse switch, lamp showing "bag full"
- ④ - Key switch
- ⑤ - Standby
- ⑥ - Mains switch
- ⑦ - Temperature indicator / yellow pilot light
- ⑧ - Emergency-stop

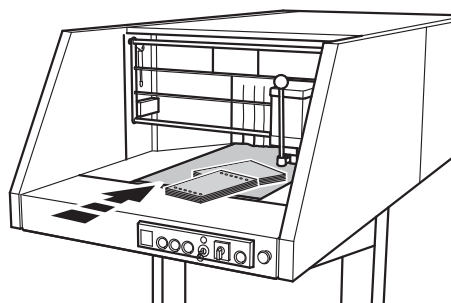


Starting the machine

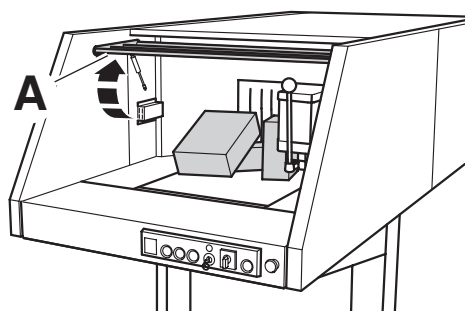
Grid (A) must be closed.



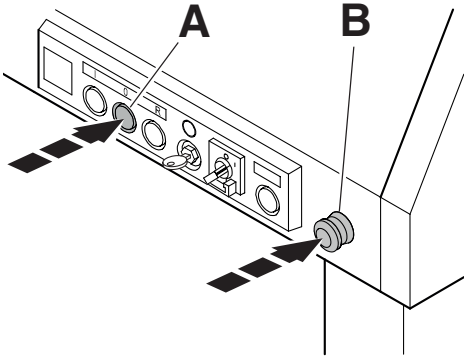
- Emergency-stop (A) pulled out.
- Main switch (B) to position "I".
- Switch on the key switch (D)
- Turn key switch → standby (C) illuminates.
- Press the black button (E)
→ conveyor belt is running.



Distribute the paper over the feeding belt.
Shred continuous paper only in stacks.



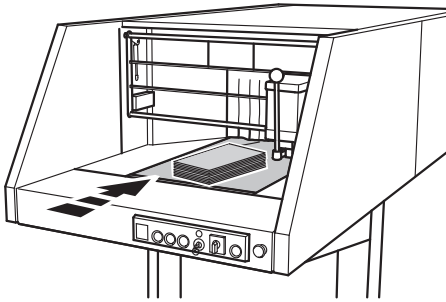
The grid (A) can be lifted to remove jammed paper.



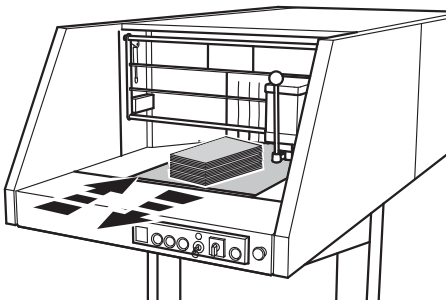
Stopping the machine

Press the white button (A)
or emergency-stop (B).

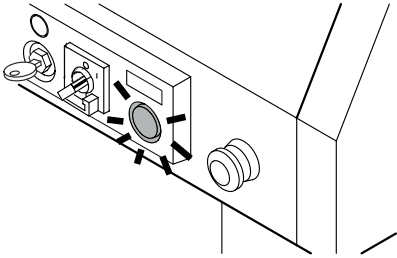
**Keep hands away from running
shredding mechanism.**



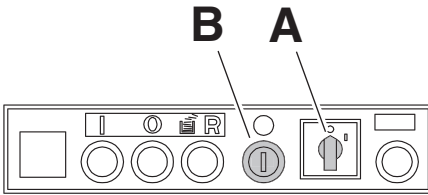
When large amounts of paper are inserted
the machine automatically adjusts to a more
powerful, slower capacity.



If this capacity is still not powerful enough
the machine will reverse shortly and then
return to "forwards mode". This is repeated
until all material is completely destroyed.

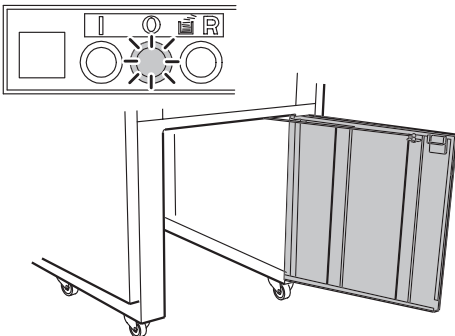


Yellow pilot light flashes. Motor is overheated → reduce the amount of material on the feeding belt. The machine should work preferably at high speed.

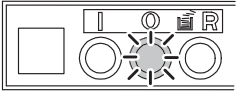


Stopping the machine

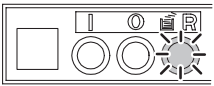
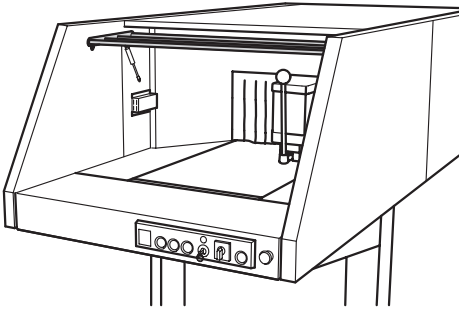
- Turn main switch (A) to position "0" → the entire machine shuts down.
- Turn the key switch (B) and remove the key → now the machine is secured from unauthorised use.



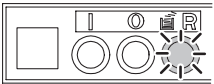
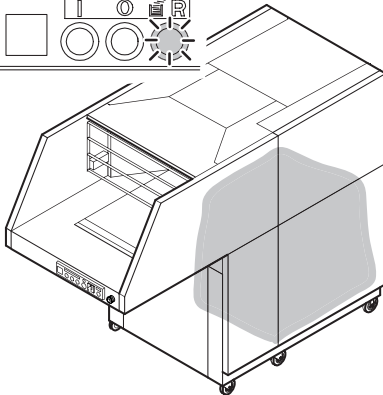
Stops automatically when grid is opened.
→ Indicator for (O) lights.



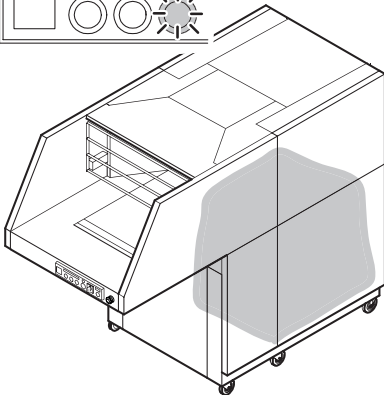
Stops automatically when grid is opened.
→ Indicator for **(O)** lights.

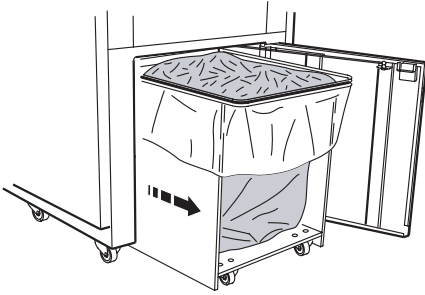


Stops automatically when plastic bag is full.
→ Indicator for **(R)** lights.

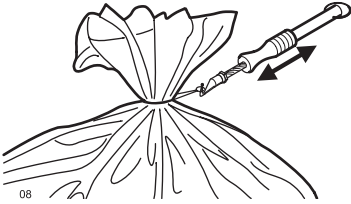


Replace bag.
The "bag full" indicator lights.

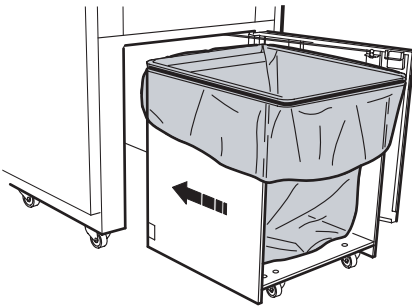




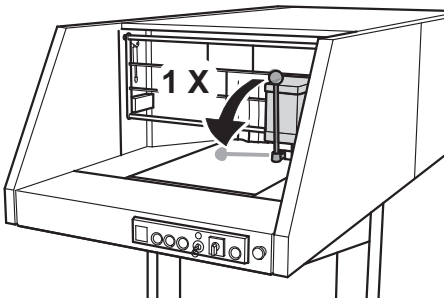
- Open the door.
- Pull out the waste cart.
- Pull the bag onto a pallet.



Fasten the bag. (For sealing parts and binding wires see accessories).



- Put a new bag into the bag frame.
- Fasten the bag with the round belt.
- Push the cart into the machine, with the open side facing you, until it touches the buffer.
- Close the door.
- Check the function of the door switch: Start the machine. → If the door is opened the machine must stop immediately.

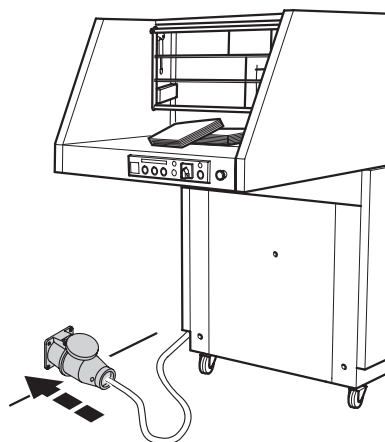


Maintenance

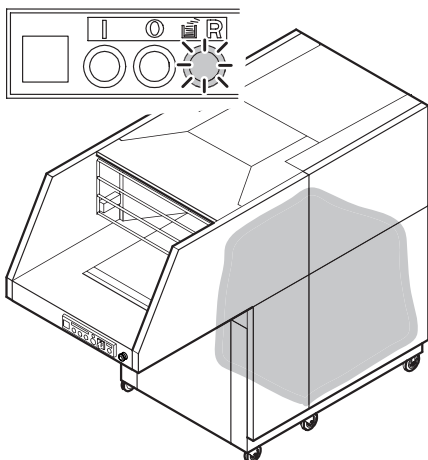
If the sheet capacity reduces or after the bag is emptied we recommend that you oil the shredding mechanism!



Machine will not start

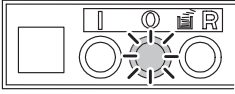


Is the machine plugged in?

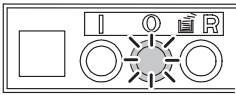
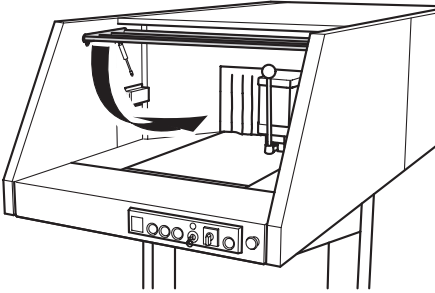


The "bag full" indicator lights. → Replace bag.

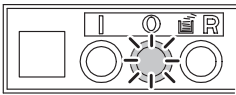
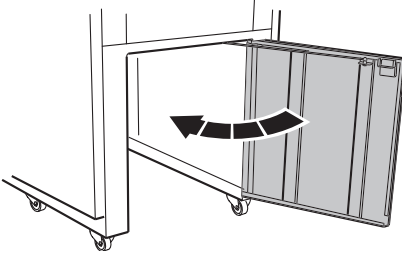
• Possible malfunctions •



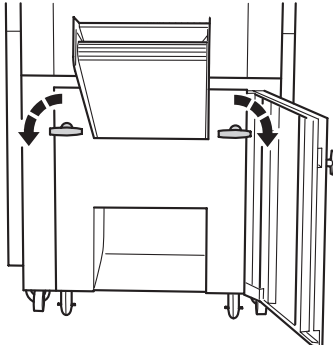
Is the Grid open? → Close it.



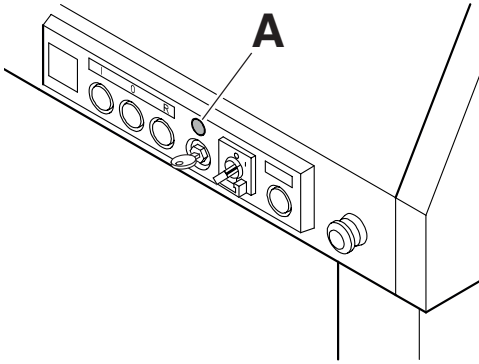
Door is open? → Close it.



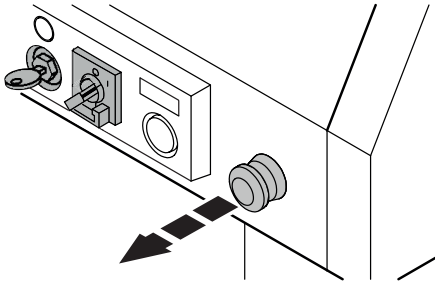
Conveyor belt (accessory) is not locked?
→ Turn both handles to lock.



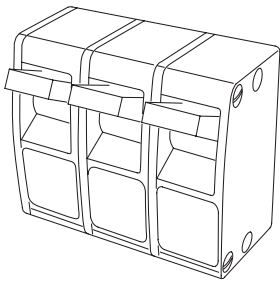
• Possible malfunctions •



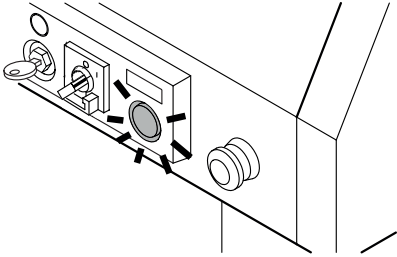
Standby (A) is not lighting up.



- Is the key-switch horizontal?
- Main switch is on "I",
- Emergency button is pulled out.
- Is the machine plugged in?

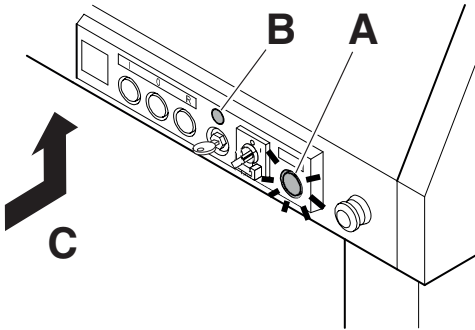


Check fuse-box of the building?

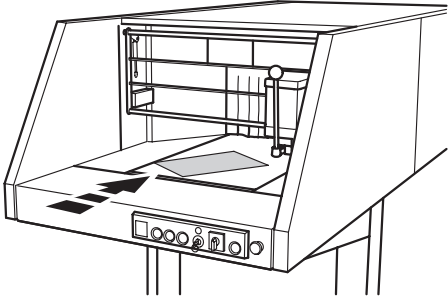


Machine stops

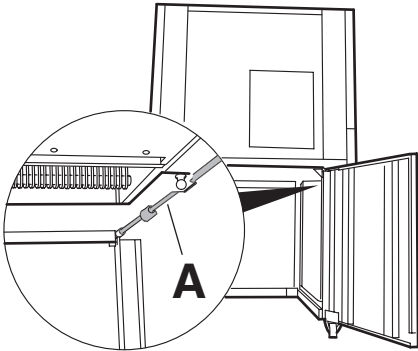
Yellow pilot light illuminates. → Wait approx. 10 to 20 minutes for the machine to cool down. Start afresh.



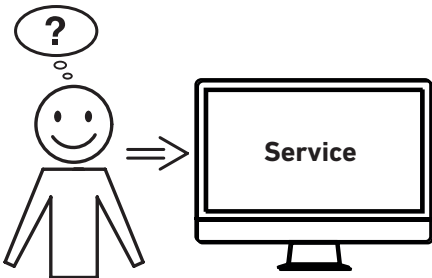
Yellow pilot light (A) illuminates, green light (B) is out → Conveyor belt is overloaded. Press the motor protection switch (C) after approx. 5 minutes.



No performance? → An electrician must examine the phases.



Machine door is difficult to open. → Clean and grease the guiding bar (A). Do not use grease or oil containing resin.

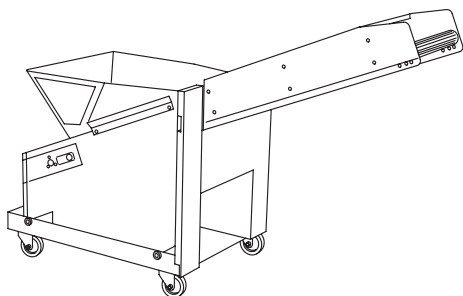


Did none of the specified solutions help you with your problem?

→ Contact: Service

• www.krug-priester.com

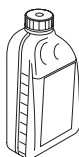
• service@krug-priester.com



Recommended accessories

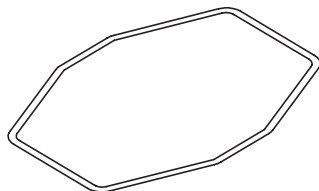
Module conveyor belt system
(conveyor belt)

- 9000 595



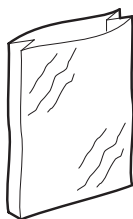
Environmentally friendly oil 5 x 1,0 l

- 9000 621



Pusher ¹

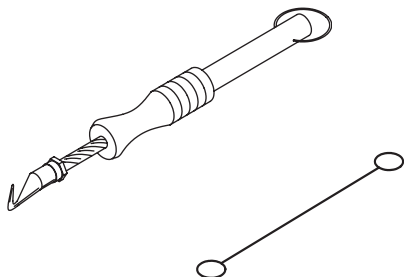
- 9000 593



Plastic bags 350l (5 pieces) ¹

Plastic bags 350l (50 pieces)

- 9000 414



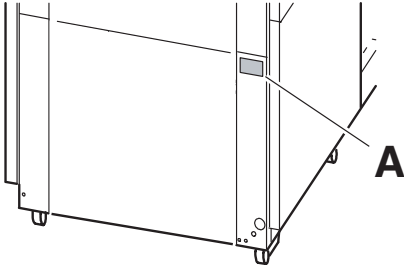
Wire twisting tool ¹

- 9000 591

Binding wire (1000 pieces) ¹

- 9000 592

¹ Included in delivery.



Fuse protection on:
400 V/ 3ph/ 32 A, characteristics C
(alternative K or D)
220 V/ 3ph/ 100 A, characteristics C
(alternative K or D)
200 V/ 3ph/ 100 A, characteristics C
(alternative K or D)

Sound level EN 13023: 74 dB(A)
With conveyor belt system Sound level
EN 13023:
in front of shredder: 77 dB(A)
by the conveyor belt system: 72 dB(A)

Minimal space requirement = approx.
W = 2,3 m x D = 4,2 m

Weight approx.
1200 kg

The exact technical specifications can be found
on the technical specifications sticker (A) on
the machine.

400 V, 3P+N+PE, 32 A
220 V, 3P+PE, 50 A
200 V, 3P+PE, 50 A

To claim under
guarantee, the machine must still carry its
original identification label.

A wiring diagram is found in the electrical switch
box.

Subject to alterations without notice.





The company Krug + Priester has the following certifications:

- Quality management system according to DIN EN ISO 9001:2015
- Environmental management system according to DIN EN ISO 14001:2015
- Energy management system according to DIN EN ISO 50001:2018

EC-declaration of conformity

- Herewith we declare that

5009-2; 5009-3; GS-ID No. 11500902 UL-ID No. 10500902

- complies with the following provisions applying to it

2006/42/EG

EC Machinery directive

2014/30/EU

EMV Electromagnetic compatibility directive

- Applied harmonised standards in particular

**EN 60204-1; EN 55014-1; EN 55014-2; EN 61000-3-2; EN 61000-3-3;
EN ISO 12100; EN ISO 13857; EN 13023; EN 13849-1; EN 1010-1;
BS EN 55014-1; BS EN 55014-2; BS EN 61000-3-2; BS EN 61000-3-3;
BS EN 60204-1; BS EN 13023; BS EN 13849-1; BS EN 13857-1; BS EN ISO 12100**

07.02.2022

Datum



- Geschäftsführer -

Authorized representative for technical documentation

Krug & Priester GmbH & Co. KG
Simon-Schweitzer-Str. 34
D-72336 Balingen (Germany)

